



1 LE agency requests approval from DPS by emailing request on LE agency letterhead to [dpsinfo@dps.mo.gov](mailto:dpsinfo@dps.mo.gov)

2 DPS provides approval back to the requesting LE agency

3 LE agency emails the local MoDOT permit specialist to apply for a permit to perform the installation activities. See the MoDOT district map attached to find your local permit specialist

4 Applicant coordinates with MoDOT staff to facilitate steps needed to obtain a permit for LPR installations as outlined in EPG 941.10. These could include the following (see right):

5 Upon MoDOT approval, a permit is issued and initial installation work will be completed

6 LE agency confirms installation to DPS

7 LE is responsible for maintenance of the LPR system(s) and must coordinate with MoDOT for future activities



*This document provides a general overview of the LPR process. See the MoDOT Engineering Policy Guide 941.10 for complete details.*

**Permit request must include:**

- \* An aerial image or map depicting all the individual locations included in the request
- \* An aerial image of each LPR clearly showing the specific location with respect to the roadway and other structures on the right of way
- \* A set of drawings\*\* showing the hardware being installed and the installation dates  
\*\* *These drawings must be signed and sealed by a Missouri Professional Engineer*
- \* An executed Roles and Responsibilities document, drafted by MoDOT and sent to the LE agency to sign off on

**LEGEND:**

- DPS—Department of Public Safety
- EPG—Engineering Policy Guide (found on MoDOT's website)
- LE—Law Enforcement
- LPR—License Plate Reader
- MoDOT—Missouri Department of Transportation

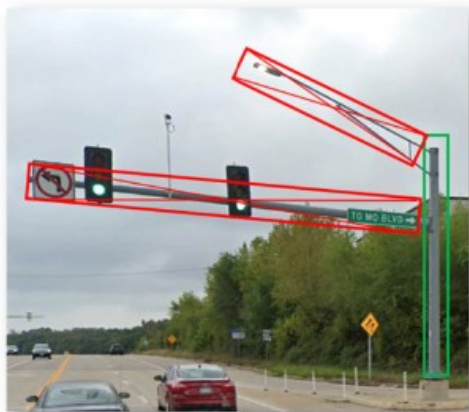
# LICENSE PLATE READERS

## Deployment Locations

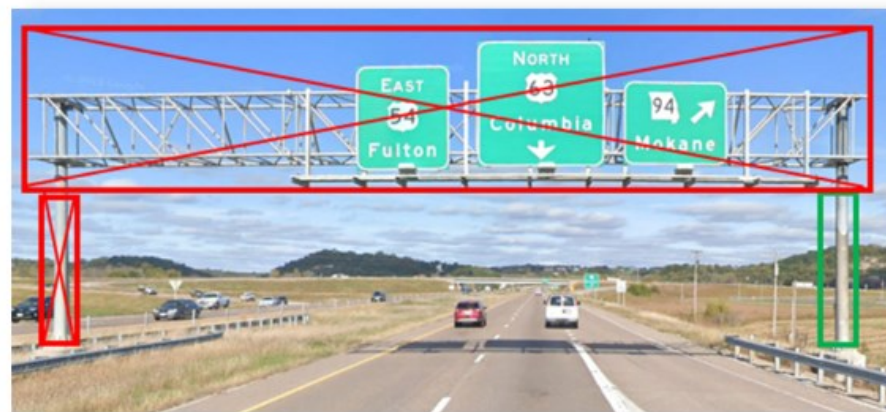
- LPRs can only be deployed on the right side of the roadway outside of the shoulder.
- LPRs can be installed in the following locations:
  - On MoDOT traffic signal upright poles
  - On MoDOT overhead sign truss upright poles
  - On independent pole installations (installed and maintained by requesting agency or their LPR vendor)
  - On any non-breakaway structure owned by a third party, with the written permission of the third party
  - See MoDOT Engineering Policy Guide 941.10 for complete details



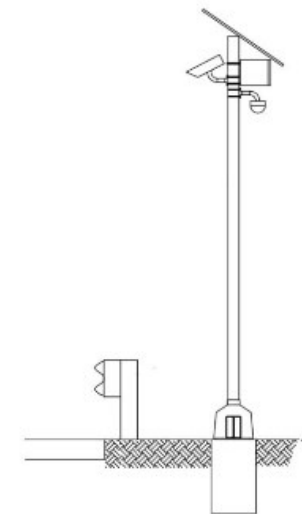
Traffic Signal



Overhead Sign Truss

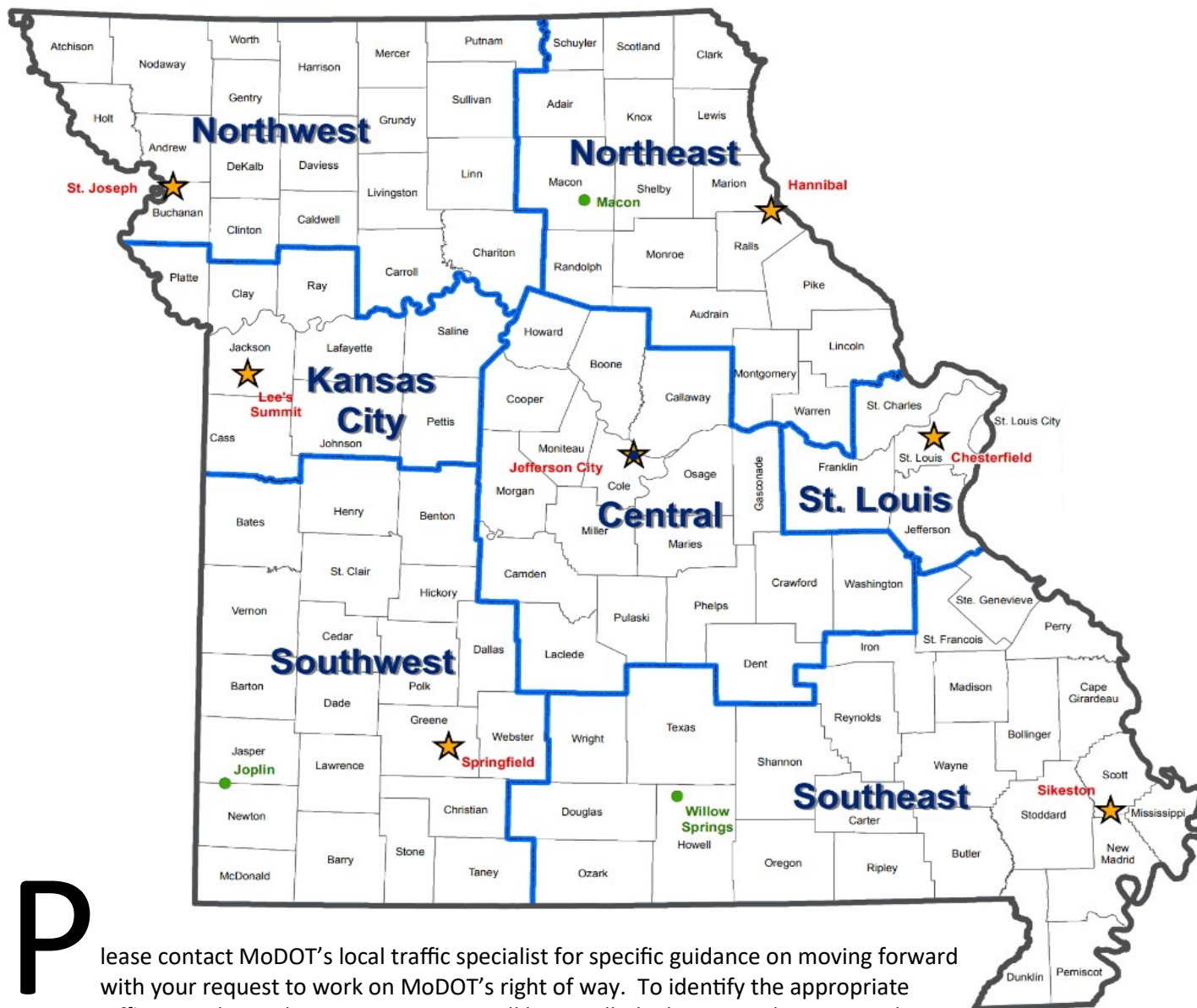


Independent Pole Installation

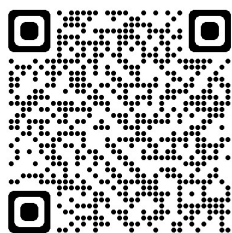


Green Box Indicates Possible Mounting Locations  
Red Boxes are Unacceptable Mounting Locations

# Missouri Department of Transportation District Map



**P**lease contact MoDOT's local traffic specialist for specific guidance on moving forward with your request to work on MoDOT's right of way. To identify the appropriate MoDOT traffic specialist in the county your LPR will be installed, please use the MoDOT district map shown above to determine the district based on county and click on the appropriate link to the right to determine your local traffic specialist who can assist with the process. Each link takes you to a MoDOT district color coded map. Click on the county your LPR will be installed and the traffic specialist contact information will display.



<https://www.modot.org/permits>

- Northwest** <https://www.modot.org/northwest-district-permit-specialist-map>
- Northeast** <https://www.modot.org/northeast-district-permit-specialist-map>
- Kansas City** <https://www.modot.org/kansas-city-district-permit-specialist-map>
- Central** <https://www.modot.org/central-district-permit-specialist-map>
- St. Louis** <https://www.modot.org/st-louis-district-permit-specialist-map>
- Southwest** <https://www.modot.org/southwest-district-permit-specialist-map>
- Southeast** <https://www.modot.org/southeast-district-permit-specialist-map>