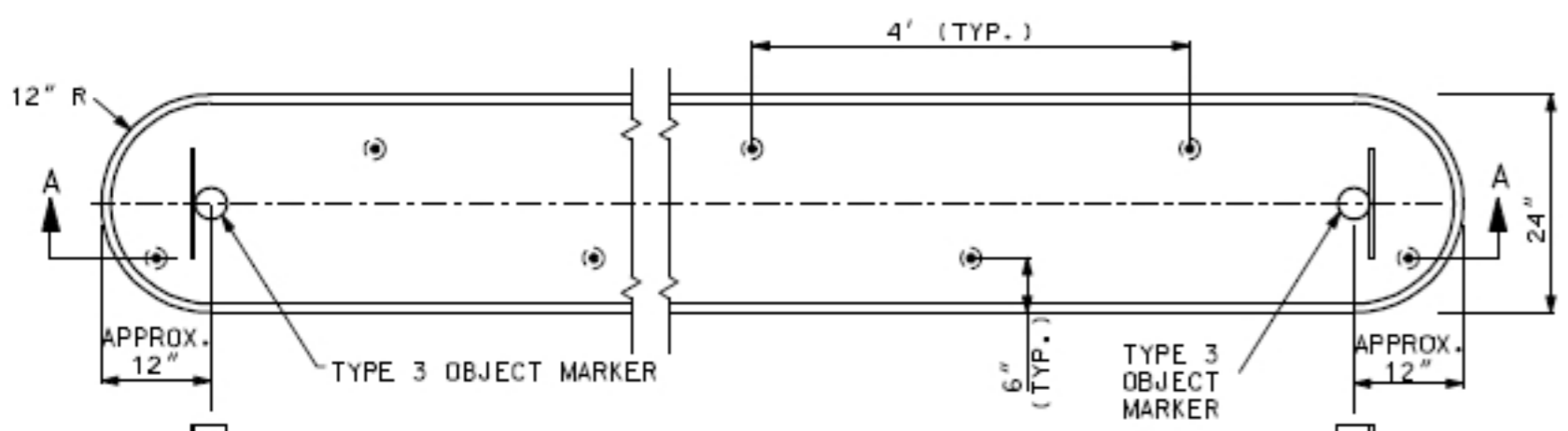
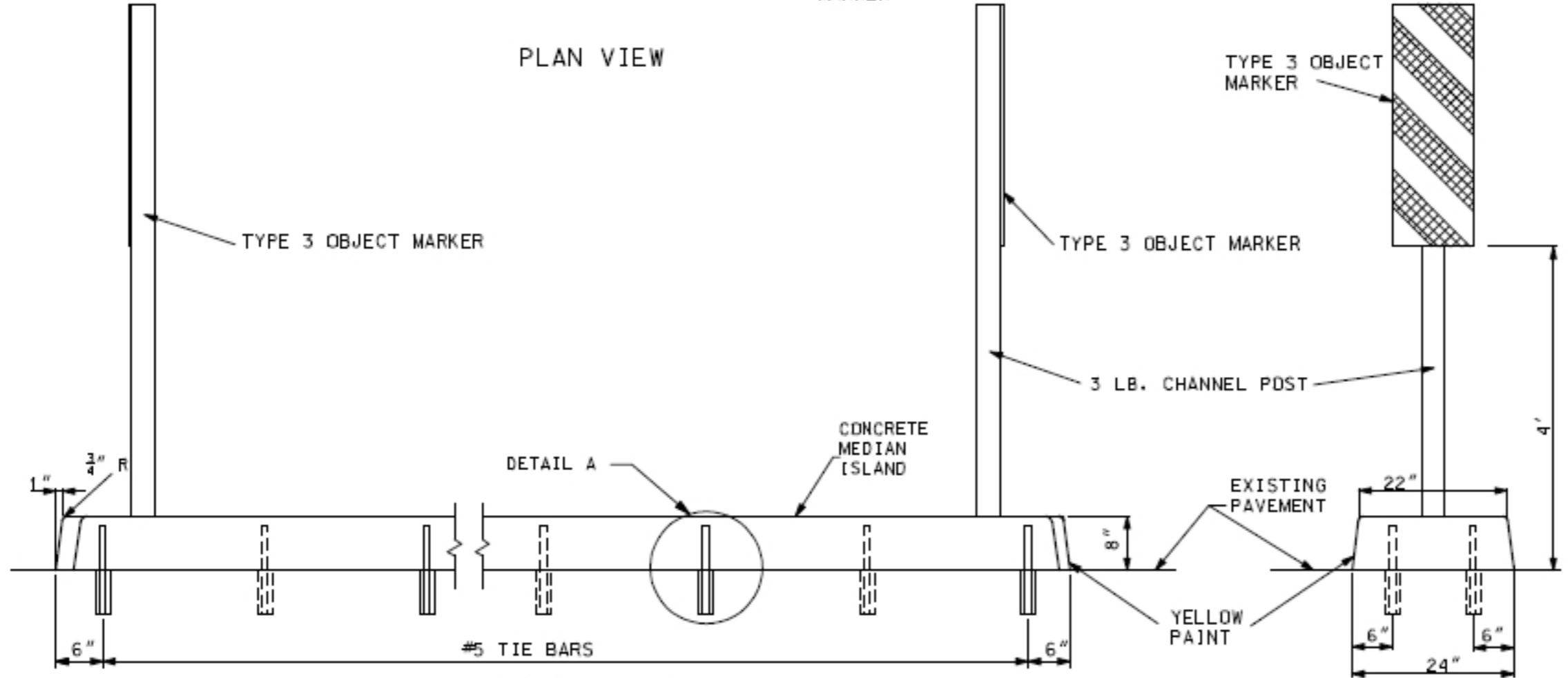
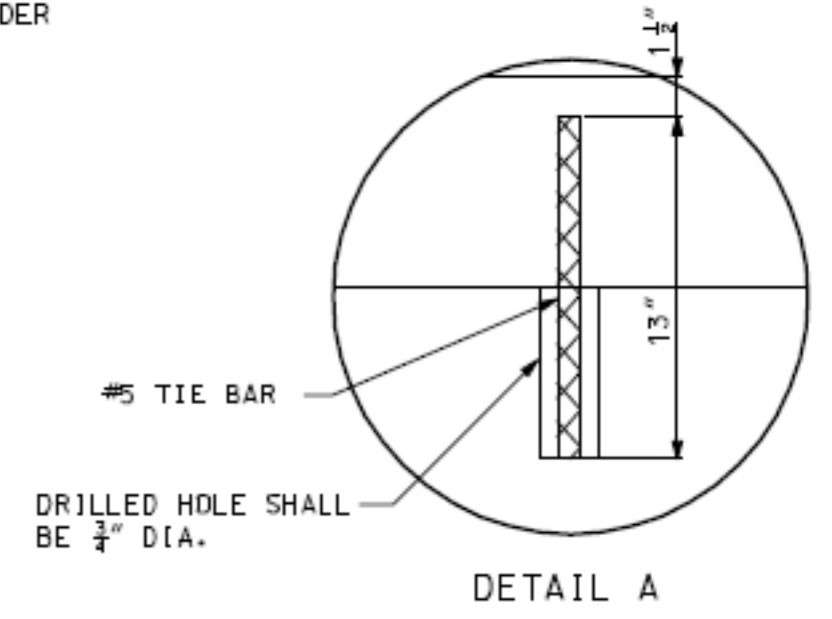


RAILROAD GRADE CROSSING



PLAN VIEW



SECTION A-A

END VIEW

TIE BAR LOCATIONS FOR MEDIAN ISLAND

- GENERAL NOTES:**
- LANES SHALL BE AT LEAST 10' WIDE AFTER INSTALLATION OF RAILROAD CROSSING MEDIAN ISLAND.
 - TIE BARS SHALL BE EPOXY COATED, DEFORMED REINFORCING BARS MEETING THE REQUIREMENTS OF SECS. 710 AND 1057.
 - BONDING FOR TIE BARS SHALL BE EPOXY OR POLYESTER BONDING AGENTS AS SPECIFIED IN SECTION 1039.
 - PROPER DRAINAGE SHALL BE MAINTAINED. DRAINAGE CHANNELS MAY BE INSTALLED AS NEEDED.

RAILROAD CROSSING
 MEDIAN ISLAND FOR
 TWO-WAY ROADS WITH
 POSTED SPEEDS ≤ 40 MPH