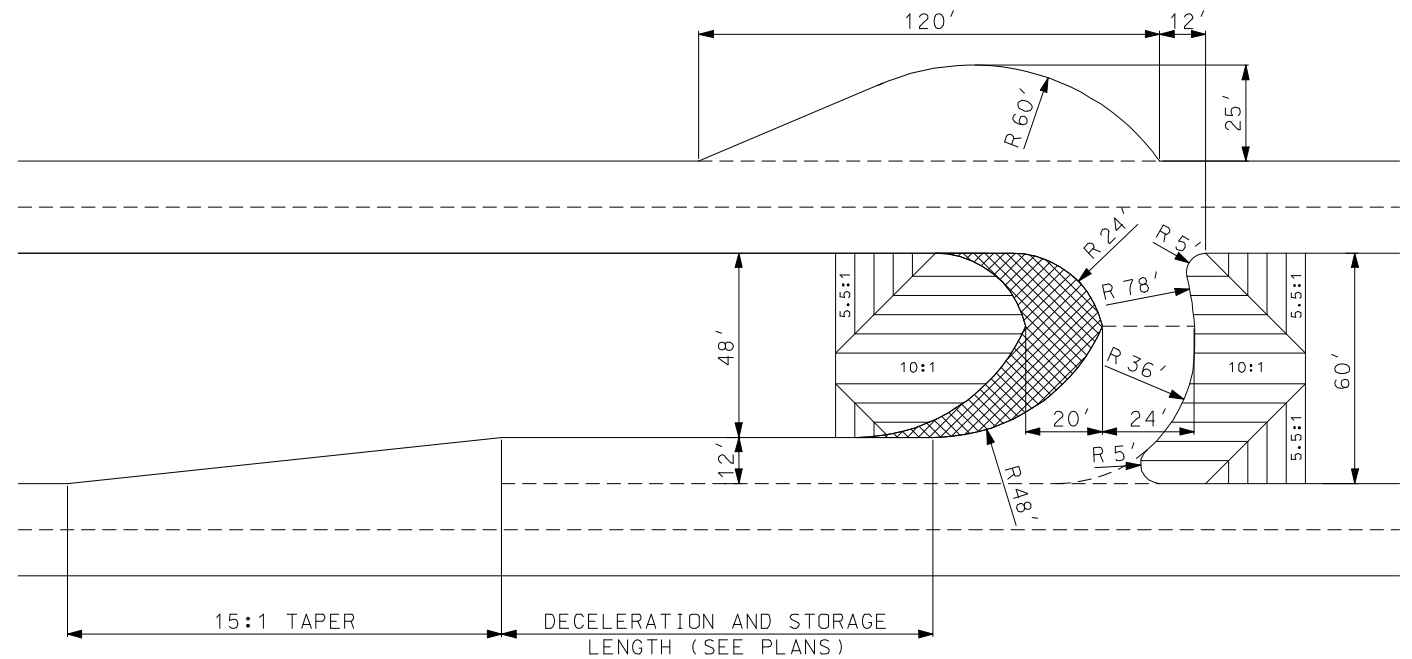
 RAISED TRUCK APRON FOR TRUCK OFFTRACKING

FOR MAJOR SIDE ROADS, STATE ROUTE AND MAJOR COMMERCIAL ENTRANCES  
TYPE 4



DOWNSTREAM U-TURN

<b>TYPICAL MEDIAN OPENING</b>			
TYPE 4			
DIRECTIONAL MEDIAN OPENING			
WITH DOWNSTREAM U-TURNS			
			1
			1