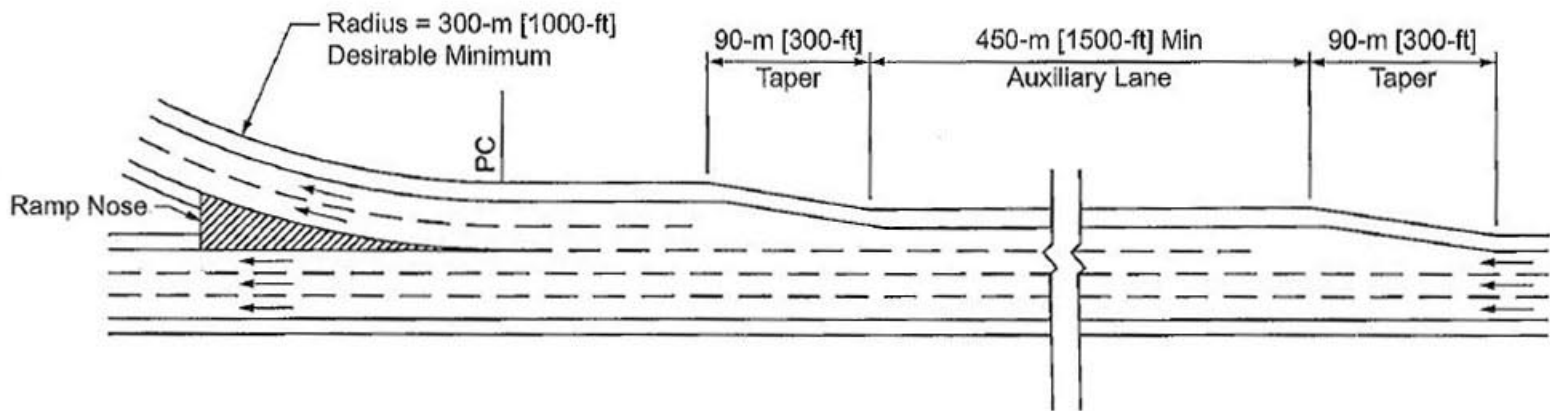


Taper Type

- A -



Parallel Type

- B -

Figure 10-74. Two-Lane Exit Terminals