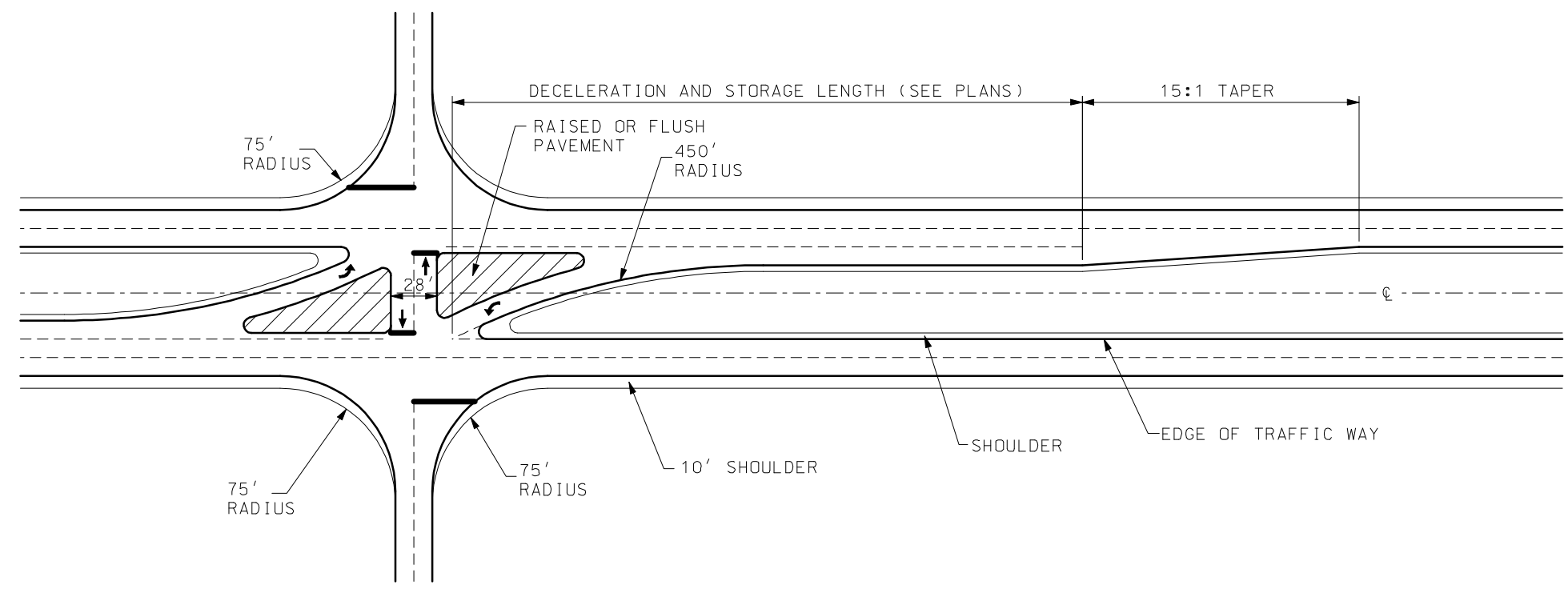


OFFSET LEFTS - TAPER TYPE



OFFSET LEFTS - PARALLEL TYPE

GENERAL NOTES:

TYPICAL MEDIAN OPENINGS			
TYPE 3 - OFFSET LEFTS			
(DIVIDED HIGHWAYS)			
			1
			1