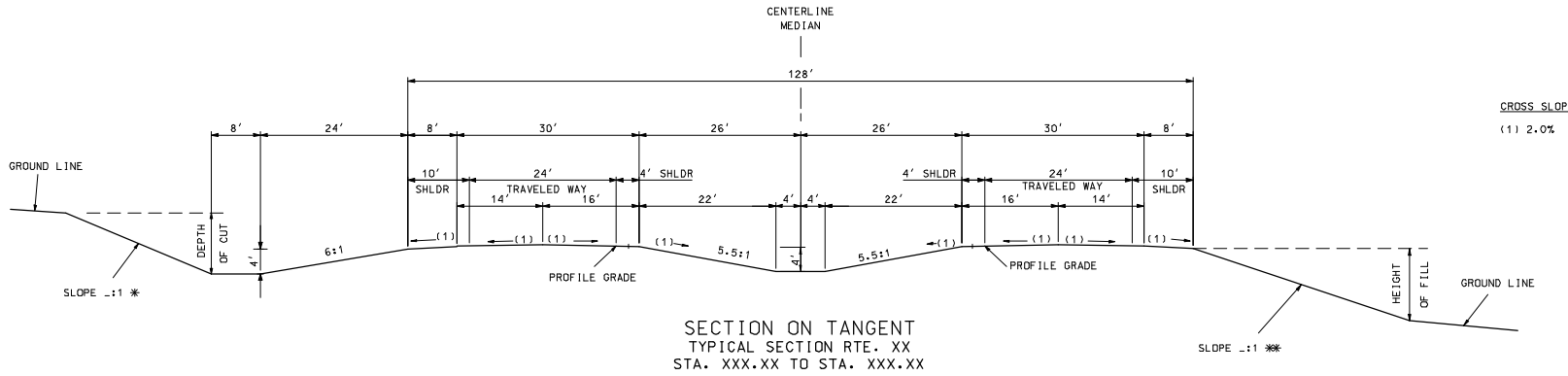
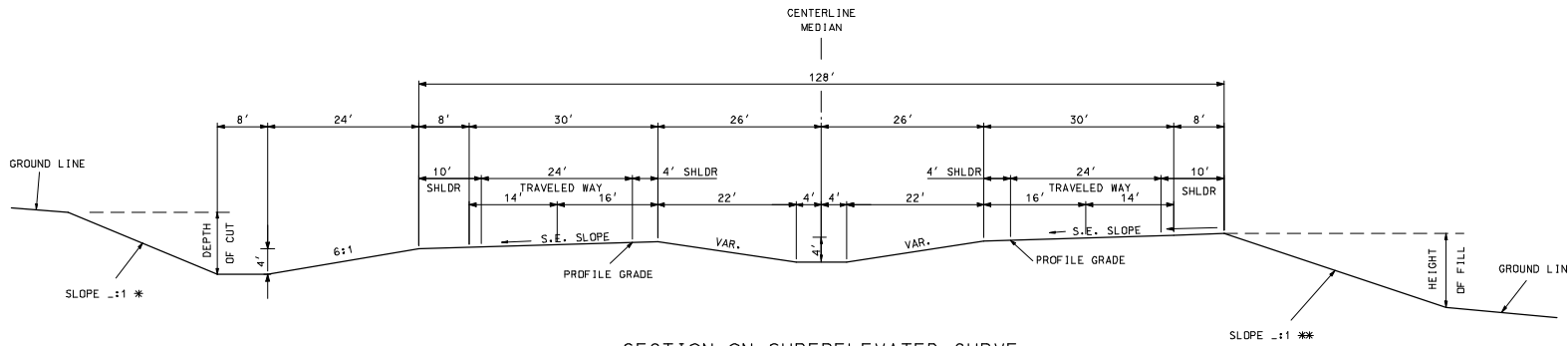


ROUTE	STATE	DISTRICT	SHEET NO.
	MO		
JOB NO.			
CONTRACT ID.			
PROJECT NO.			
COUNTY			DATE



CROSS SLOPE
(1) 2.0%

SEE STANDARDS 203.21, 606.00 AND 609.40 FOR SHOULDER WIDENING.



- * BACKSLOPE DETERMINED BY SOIL SURVEY.
- ** THE FILL SLOPE SHALL BE 6:1 OR FLATTER WHEN THE FILL HEIGHT IS EQUAL TO OR LESS THAN 4 FEET (I.E., THE OFFSET FROM THE TOE OF FILL TO THE SHOULDER POINT IS A MINIMUM OF 24 FEET). THE SLOPE MAY VARY TO MEET THIS REQUIREMENT. FOR FILL HEIGHTS GREATER THAN 4 FEET, THE SLOPE SHALL NOT EXCEED THE MAXIMUM SLOPE DETERMINED BY THE SOIL SURVEY.

	D-61E
FUNCTION	INTERSTATE
ADT	> 1700
TRAVELED WAY WIDTH	24'
ROADBED WIDTH	128'
FORESLOPE	6:1
DITCH	4'