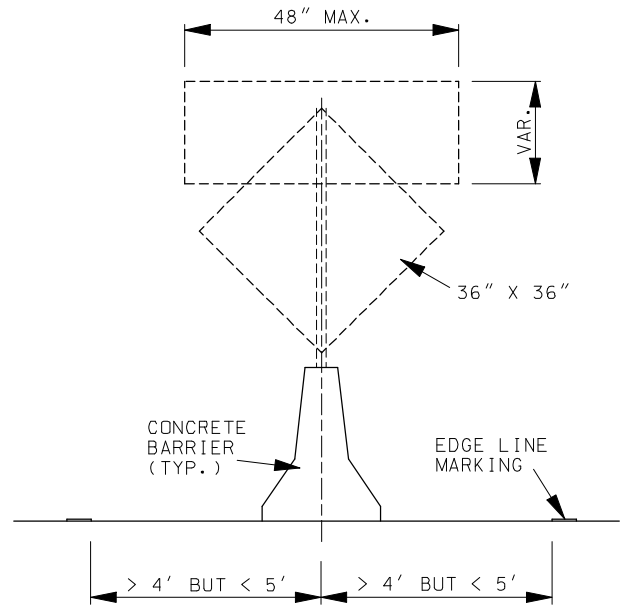
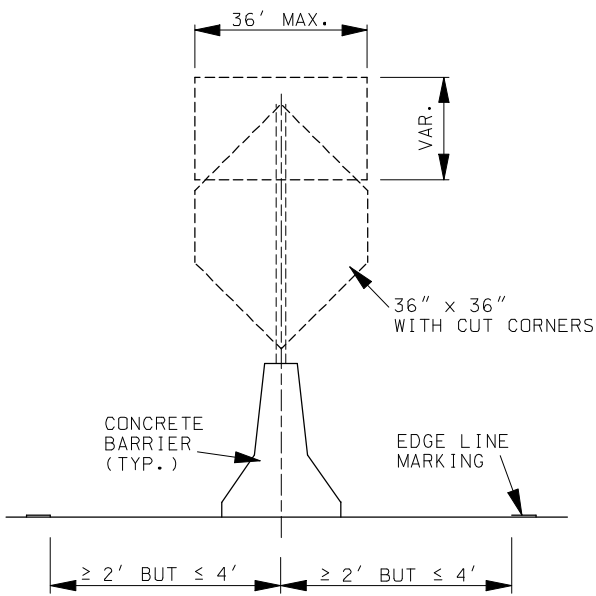
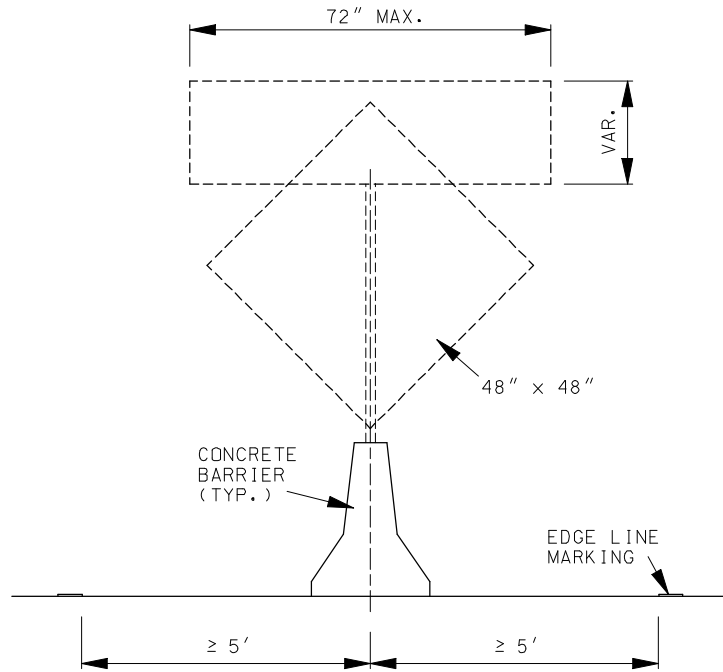


Signs in Narrow Medians



NOTES:

48" x 48" DIAMOND-SHAPED WARNING SIGNS SHALL BE USED WHENEVER POSSIBLE. RECTANGULAR SIGNS SHALL NOT BE USED IN LIEU OF DIAMOND-SHAPED WARNING SIGNS.

WHERE MODIFIED SIGNS ARE USED, THE LAYOUTS OF THE SIGNS SHALL BE SHOWN ON THE PLANS.

Figure 616.2.4