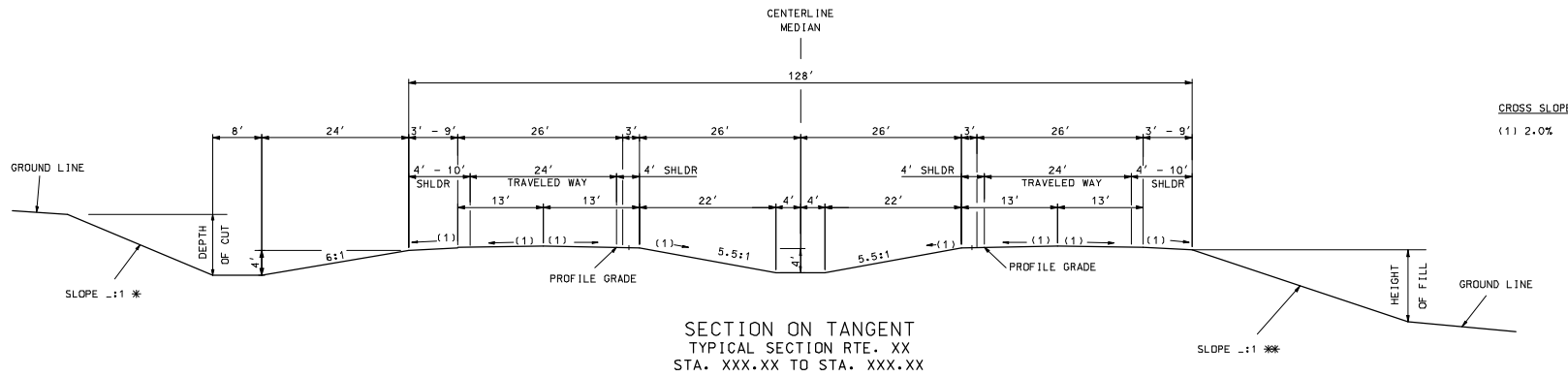
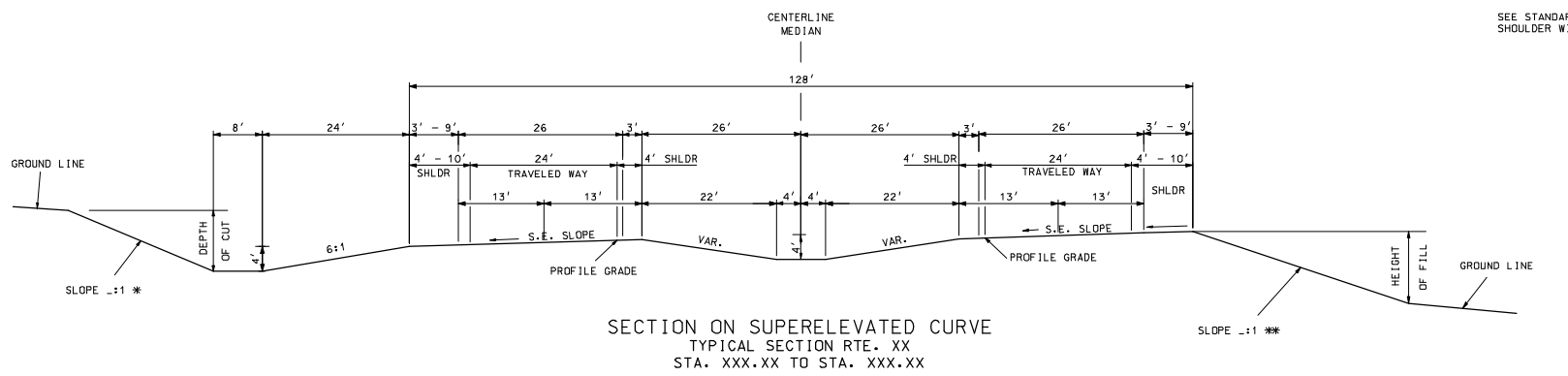


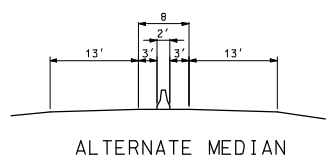
ROUTE	STATE	DISTRICT	SHEET NO.
	MO		
JOB NO.			
CONTRACT ID.			
PROJECT NO.			
COUNTY			DATE



CROSS SLOPE
(1) 2.0%



SEE STANDARDS 203.21, 606.00 AND 609.40 FOR
SHOULDER WIDENING.



- * BACKSLOPE DETERMINED BY SOIL SURVEY.
- ** THE FILL SLOPE SHALL BE 6:1 OR FLATTER WHEN THE FILL HEIGHT IS EQUAL TO OR LESS THAN 4 FEET (I.E., THE OFFSET FROM THE TOE OF FILL TO THE SHOULDER POINT IS A MINIMUM OF 24 FEET). THE SLOPE MAY VARY TO MEET THIS REQUIREMENT. FOR FILL HEIGHTS GREATER THAN 4 FEET, THE SLOPE SHALL NOT EXCEED THE MAXIMUM SLOPE DETERMINED BY THE SOIL SURVEY.

D-61E	
FUNCTION	NON-INTERSTATE RURAL MAJOR ROUTE 4-LANE
ADT	> 1700
TRAVELED WAY WIDTH	24'
ROADBED WIDTH	68' - 128'
FORESLOPE	6:1
DITCH	4'