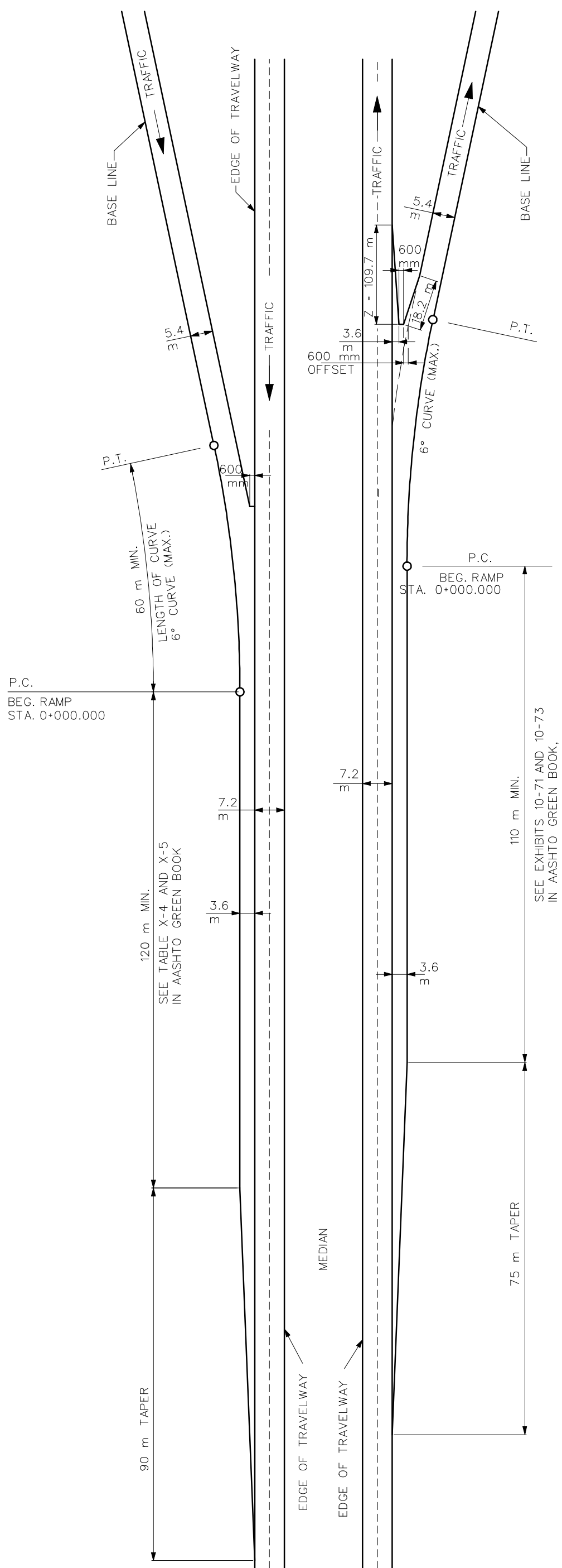
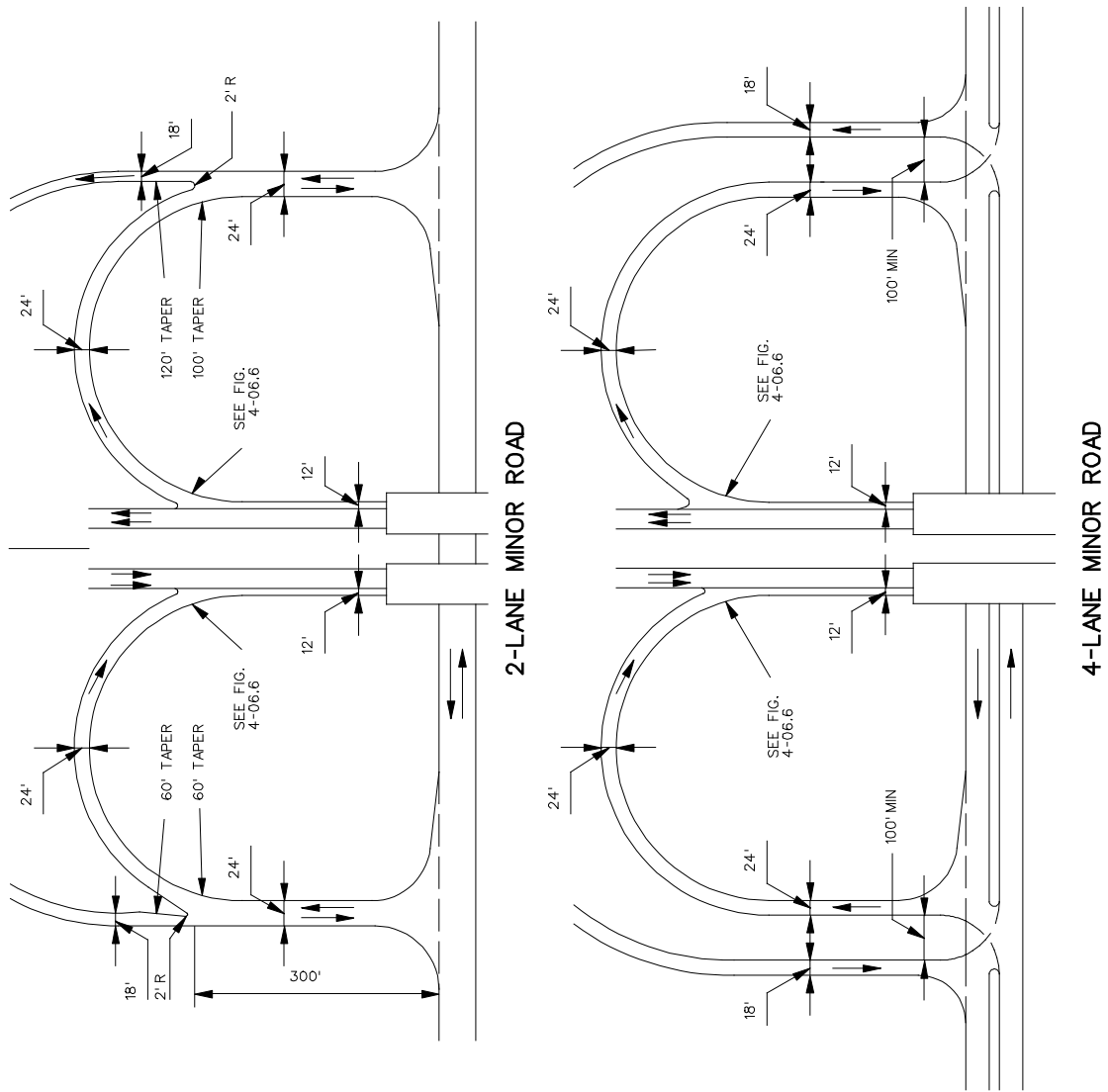


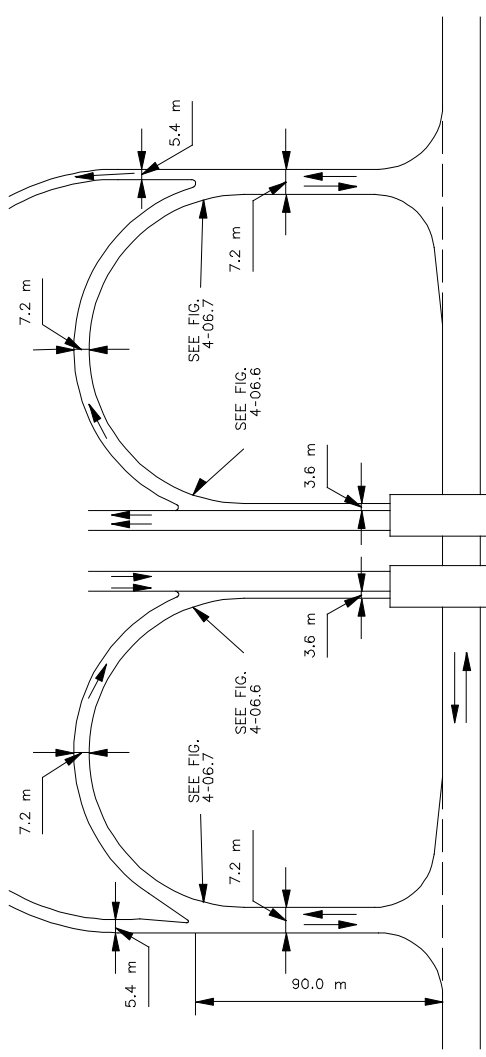
Diamond-Type Interchange Ramps



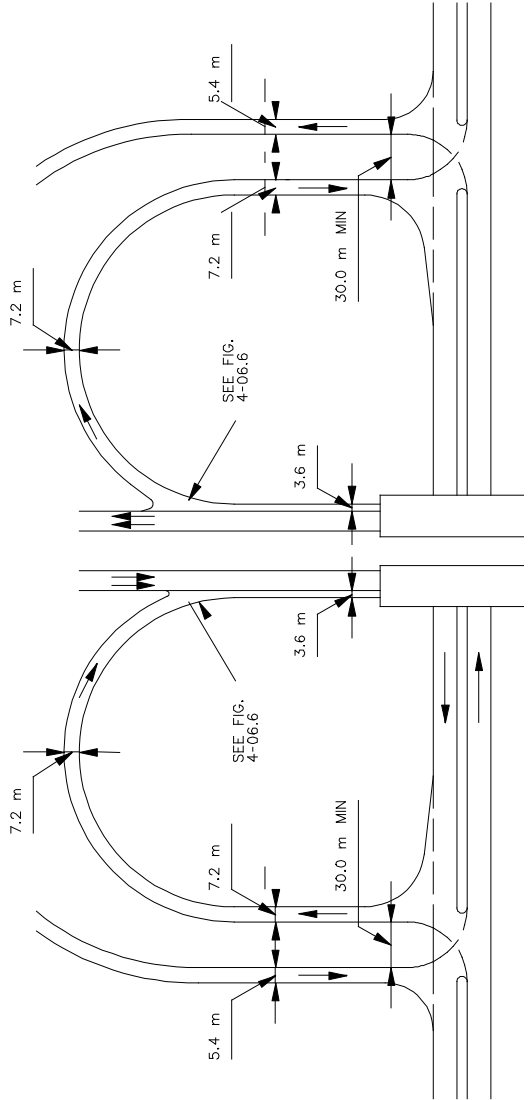
Diamond-Type Interchange Ramps



Folded Diamond-Type Interchange

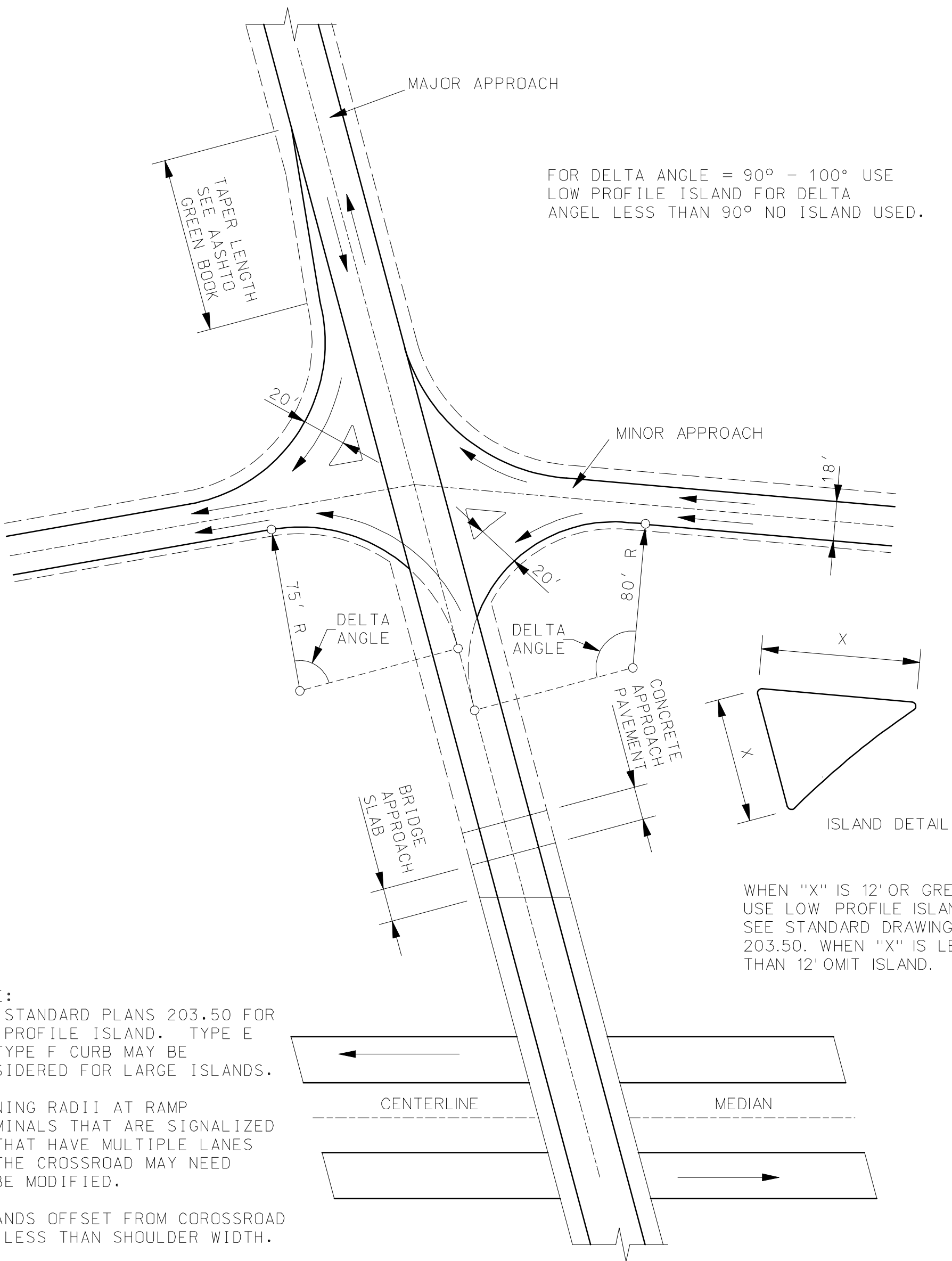


2-LANE MINOR ROAD



4-LANE MINOR ROAD

Folded Diamond-Type Interchange



FOR DELTA ANGLE = 90° - 100° USE
LOW PROFILE ISLAND FOR DELTA
ANGEL LESS THAN 90° NO ISLAND USED.

WHEN "X" IS 12' OR GREATER,
USE LOW PROFILE ISLAND,
SEE STANDARD DRAWING
203.50. WHEN "X" IS LESS
THAN 12' OMIT ISLAND.

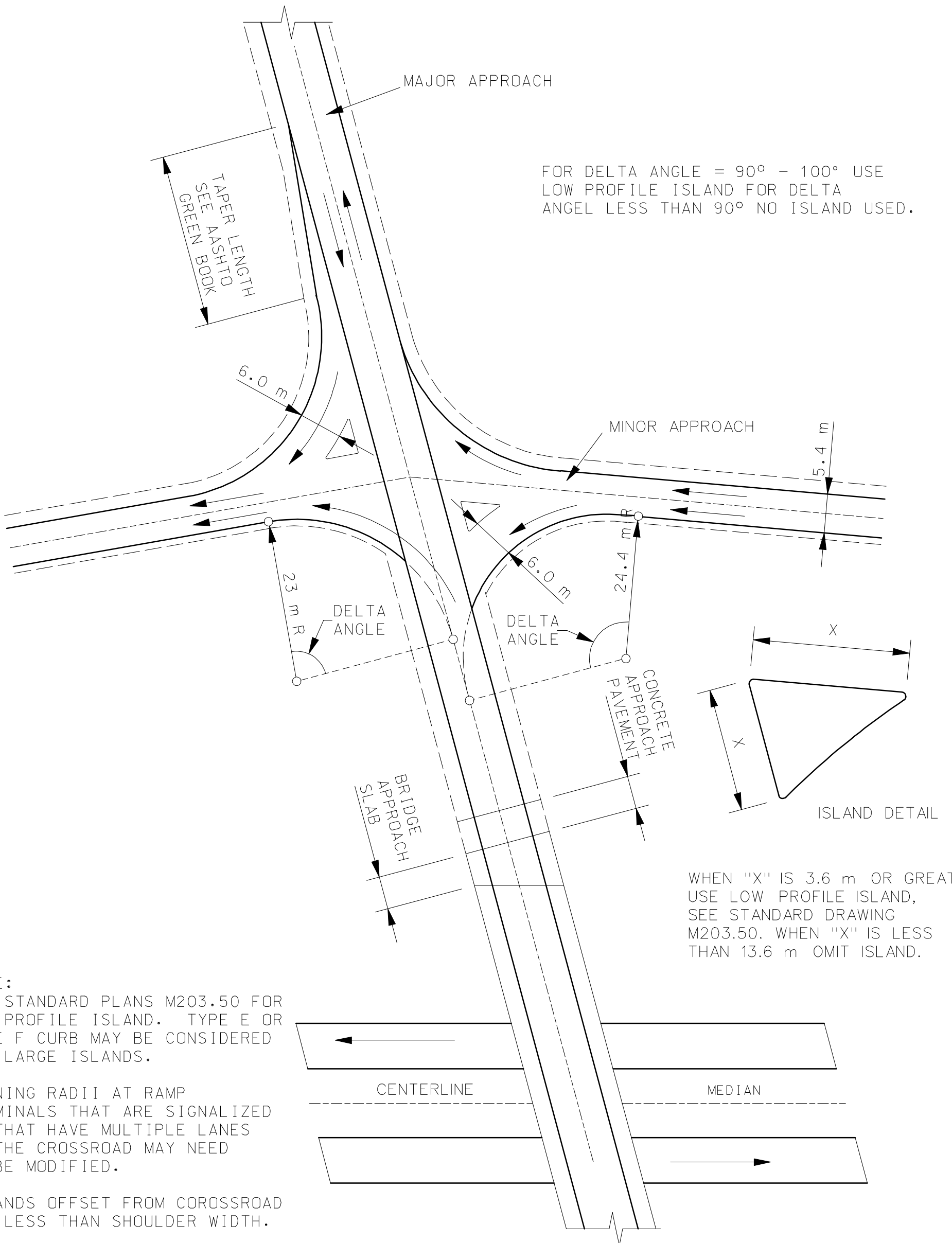
NOTE:
SEE STANDARD PLANS 203.50 FOR
LOW PROFILE ISLAND. TYPE E
OR TYPE F CURB MAY BE
CONSIDERED FOR LARGE ISLANDS.

TURNING RADII AT RAMP
TERMINALS THAT ARE SIGNALIZED
OR THAT HAVE MULTIPLE LANES
ON THE CROSSROAD MAY NEED
TO BE MODIFIED.

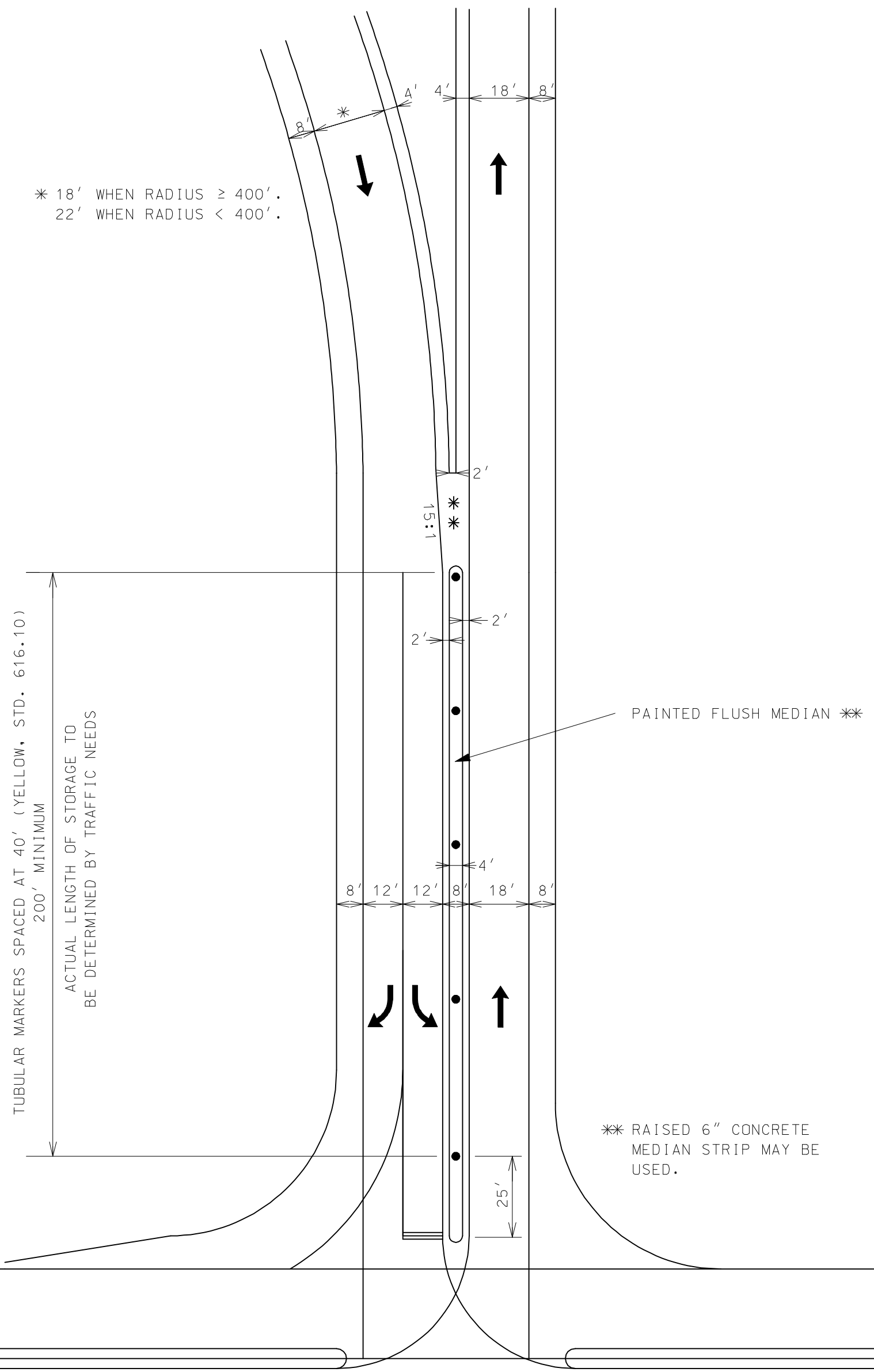
ISLANDS OFFSET FROM COROSSROAD
NOT LESS THAN SHOULDER WIDTH.

FOR SIGHT DISTANCE AT RAMP
TERMINALS, SEE CHAPTER 9,
AASHTO GREEN BOOK.

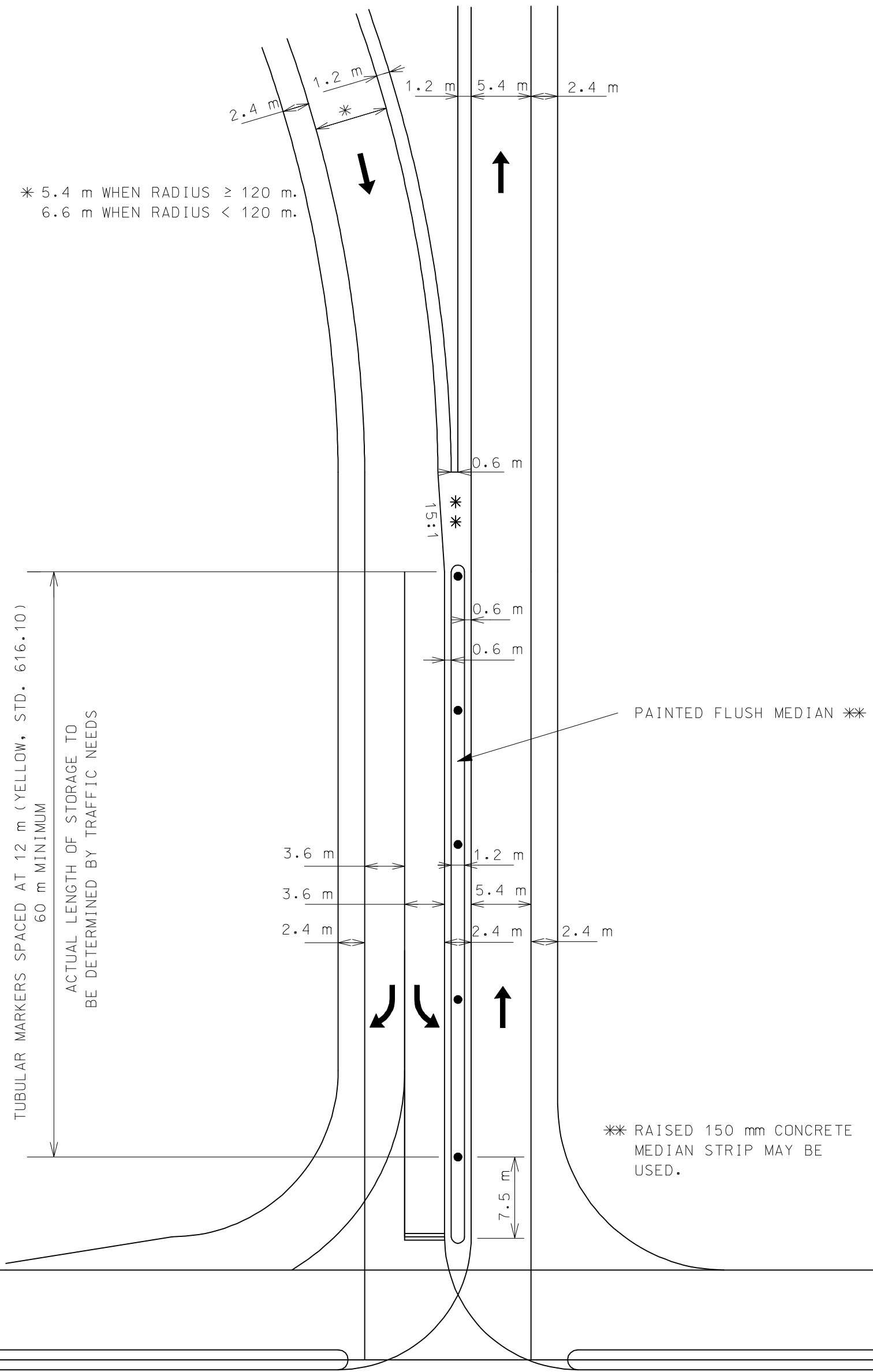
Geometries of Diamond Interchanges - Ramp Termini



Geometries of Diamond Interchanges - Ramp Termini



Folded Diamond Intersection Details



Folded Diamond Intersection Details