

MISSOURI HIGHWAYS AND TRANSPORTATION COMMISSION PLANS FOR PROPOSED STATE HIGHWAY

INDEX OF SHEETS

DESCRIPTION	SHEET NUMBER
TITLE SHEET -----	1
TYPICAL SECTIONS (TS) (1 SHEET)--	2
QUANTITIES (QU) (1 SHEET)-----	3
PLAN (PP)-----	4
TRAFFIC CONTROL SHEETS (TC)-----	5-7

THIS MEDIA SHOULD NOT BE CONSIDERED A CERTIFIED DOCUMENT.

DATE PREPARED
01/16/2009

ROUTE STATE
MO MO

DISTRICT SHEET NO.
1

COUNTY

JOB NO.

CONTRACT ID.

PROJECT NO.

BRIDGE NO.

NO.	DATE	DESCRIPTION

LENGTH OF PROJECT

BEGINNING OF PROJECT _____

END OF PROJECT _____

APPARENT LENGTH _____ MILES

EQUATIONS AND EXCEPTIONS:

TOTAL CORRECTIONS _____

NET LENGTH OF PROJECT _____

STATE LENGTH _____

MISSOURI HIGHWAYS AND TRANSPORTATION COMMISSION

105 WEST CAPITOL
JEFFERSON CITY, MO 65102
1-888-ASK-MODOT (1-888-275-6636)

IF A SEAL IS PRESENT ON THIS SHEET IT HAS BEEN ELECTRONICALLY SEALED AND DATED.

"THIS MEDIA SHOULD NOT BE CONSIDERED A CERTIFIED DOCUMENT."

DATE PREPARED
01/16/2009

ROUTE STATE
MO MO

DISTRICT SHEET NO.

COUNTY

JOB NO.

CONTRACT ID.

PROJECT NO.

BRIDGE NO.

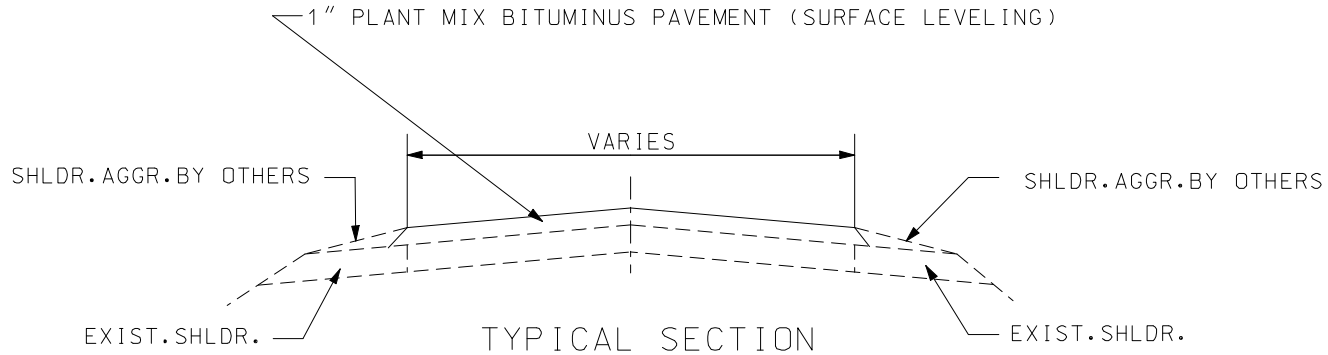
DESCRIPTION

DATE

MISSOURI HIGHWAYS AND TRANSPORTATION COMMISSION



IF A SEAL IS PRESENT ON THIS SHEET IT HAS BEEN ELECTRONICALLY SEALED AND DATED.



STRIPING TO BE COMPLETED BY OTHERS.

NOTIFY ENGINEER TWO WEEKS PRIOR TO PROJECT COMPLETION

NOTE: SURFACE PLACEMENT SHALL BE ONE PASS PER LANE
NO S.E. CORRECTION.

TYPICAL SECTION

SHEET 1 OF 1

MISSOURI HIGHWAYS AND TRANSPORTATION COMMISSION

SUMMARY OF QUANTITIES

BITUMINOUS PAVEMENT SURFACE LEVELING PG64-22

LOG MILE	LOG MILE	NET LENGTH MILES	AVERAGE WIDTH FEET	QUANTITY 1.987 Tons/CY TONS	TACK .05 GAL/SQ. YD. GALLONS	REMARKS
TRAVELWAY - ROUTE 156						
			TOTALS			

MODIFIED COLD MILLING (DEPTH TRANSITION)

LOG MILE	LOG MILE	QUANTITY SQ. YD.	REMARKS
TOTAL			

BITUMINOUS PAVEMENT SURFACE LEVELING PG64-22 (INTERSECTIONS/ENTRANCES)

LOG MILE	NET LENGTH MILES	AVERAGE WIDTH FEET	QUANTITY 1.987 Tons/CY TONS	TACK .05 GAL/SQ. YD. GALLONS	REMARKS
STATE ROUTE ENTRANCES					
TOTALS					*Included In surfacing totals

FLAG ASSEMBLIES

DATE	DESCRIPTION	QUANTITY EACH	REMARKS
TOTAL			

TEMPORARY RAISED PAVEMENT MARKER, TYPE 2

LOG MILE	LOG MILE	QUANTITY EACH	REMARKS
TOTAL			

NOTE: FINAL STRIPING DONE BY OTHERS. TEMPORARY PAVM'T MARKERS TO BE REMOVED BY CONTRACTOR AFTER FINAL STRIPING

CONSTRUCTION SIGNING

SIGN NO.	SIGN	SIZE (in.)	AREA (ft. ²)	QTY.	TOTAL AREA (ft. ²)	DESCRIPTION
②**	W020-1	48 x 48	16.00	X	xxx	ROAD WORK AHEAD
⑦	W020-4	48 x 48	16.00	4	64	ONE LANE ROAD AHEAD
⑧	W020-7a	48 x 48	16.00	4	64	FLAGGER (SYMBOL) (WITH FLAGS)
④ & ②⑤	R2-1	36 x 48	12.00	8	96	SPEED LIMIT XX ④ 3-XX MPH ②⑤ 3-XX MPH
⑤④	G023-1	36 x 12	3.00	4	12	WORK ZONE PLAQUE
③	W3-5	36 x 36	9.00	4	36	REDUCED SPEED AHEAD (SYMBOL) ③ 3-35 MPH
①*	G020-1	60 x 24	10.00	2	20	ROAD WORK NEXT XX MILES ① 2-8 MILES
②⑨	G020-2a	48 x 24	8.00	2	16	END ROAD WORK
⑤⑤	W08-12	36 x 36	9.00	X	XX.XX	NO CENTER STRIPE

616-10.05 CONSTRUCTION SIGNS TOTAL xxx.xx

* IF LESS THAN TWO (2) MILES, DELETE SIGN NO. 1.

** ADDITIONAL SIGN NO. 2 USED AS SHOWN ON TRAFFIC CONTROL SHEET 2 OF 3 AND AS DIRECTED BY ENGINEER.

NOTE:

REFER TO STANDARD PLAN 616.10 AND 903.03 FOR SIGN AND SIGN MOUNTING REQUIREMENTS.

ITEM NO.	QTY.	DESCRIPTION
616-11.20	2	INSTALLATION OF 48" X 48" "DRIVE SMART SIGN"

SUMMARY SHEET
SHEET 1 OF 1

"THIS MEDIA SHOULD NOT BE CONSIDERED A CERTIFIED DOCUMENT."

DATE PREPARED
9/24/2010

ROUTE STATE
MO

DISTRICT SHEET NO.
3

COUNTY

JOB NO.

CONTRACT ID.

PROJECT NO.

BRIDGE NO.

DATE	DESCRIPTION

MISSOURI HIGHWAYS AND TRANSPORTATION COMMISSION

105 WEST CAPITOL
JEFFERSON CITY, MO 65102
1-888-ASK-MDOT (1-888-275-6636)



REV.

IF A SEAL IS PRESENT ON THIS SHEET IT HAS BEEN ELECTRONICALLY SEALED AND DATED.

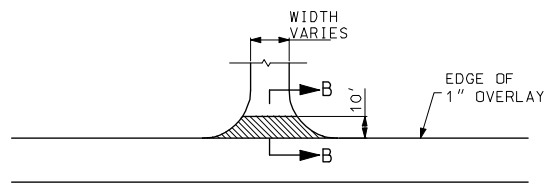
"THIS MEDIA SHOULD NOT BE CONSIDERED A CERTIFIED DOCUMENT."

DATE PREPARED	01/16/2009		
ROUTE	STATE MO		
DISTRICT	SHEET NO.		
COUNTY			
JOB NO.			
CONTRACT ID.			
PROJECT NO.			
BRIDGE NO.			

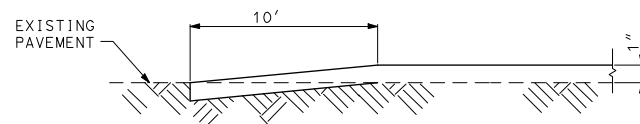
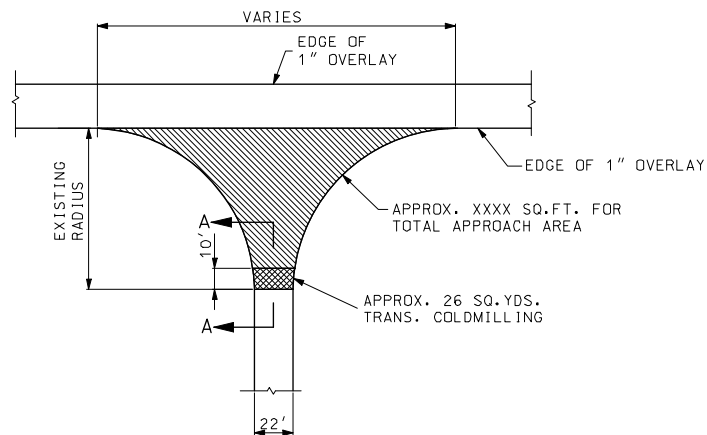
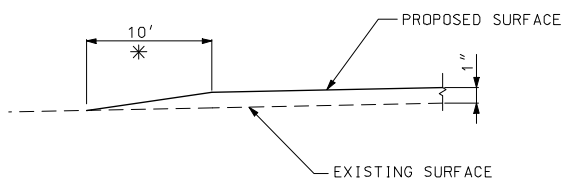
DESCRIPTION	DATE

MISSOURI HIGHWAYS AND TRANSPORTATION COMMISSION
 MDOT
 105 WEST CAPITOL
 JEFFERSON CITY, MO 65102
 1-888-ASK-MDOT (1-888-275-6636)

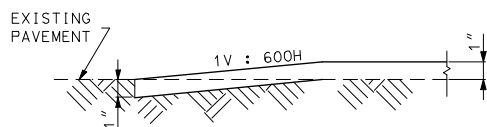
IF A SEAL IS PRESENT ON THIS SHEET IT HAS BEEN ELECTRONICALLY SEALED AND DATED.	
---	--



SECTION B-B
 TYPICAL ENTRANCE
 (FIELD, PRIVATE OR COUNTY ROAD)
 *TAPER AT 1:1 FOR FIELD ENTRANCE



SECTION A-A
 TYPICAL STATE ROUTE JUNCTION



TRAVELWAY DEPTH TRANSITIONS
 BEGINNING AND END OF PROJECT
 AND EXCEPTIONS

"THIS MEDIA SHOULD NOT BE CONSIDERED A CERTIFIED DOCUMENT."

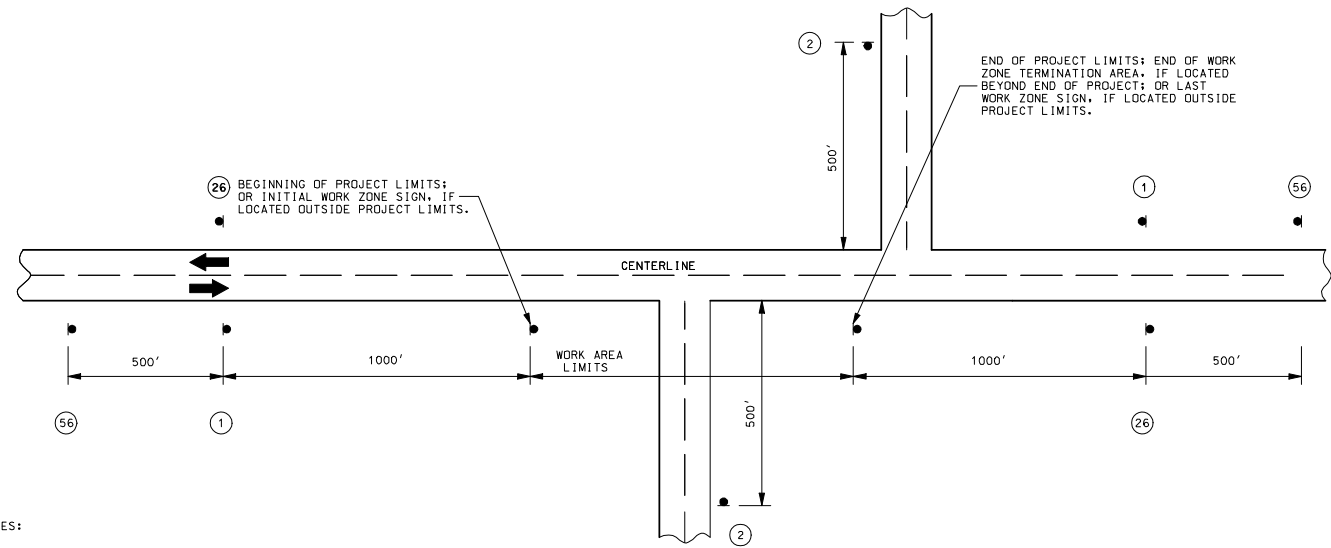
DATE PREPARED
01/16/2009
ROUTE MO STATE
DISTRICT MO COUNTY
SHEET NO. 5
JOB NO.
CONTRACT ID.
PROJECT NO.
BRIDGE NO.

DESCRIPTION	DATE

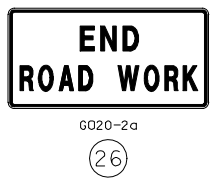
MISSOURI HIGHWAYS AND TRANSPORTATION COMMISSION

 105 WEST CAPITOL
 JEFFERSON CITY, MO 65102
 1-888-ASK-MODOT (1-888-275-6636)

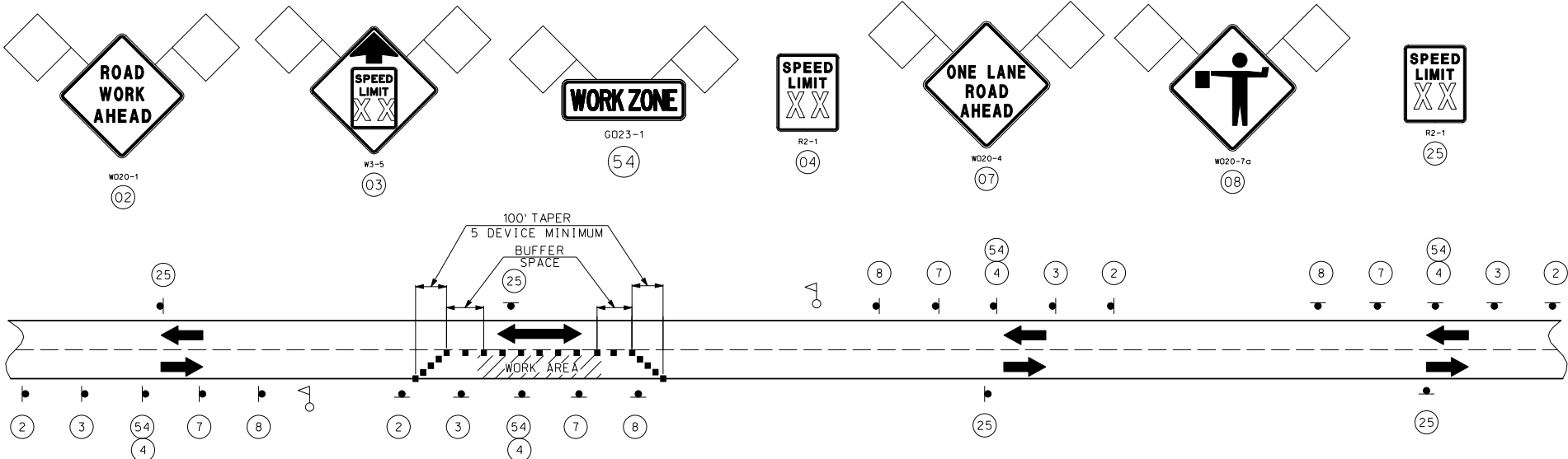
IF A SEAL IS PRESENT ON THIS SHEET IT HAS BEEN ELECTRONICALLY SEALED AND DATED.
 REV.



NOTES:
 SIGN (1) IS ONLY USED ON PROJECT LENGTHS 2 MILES OR GREATER.
 SIGN (26) MAY BE USED ON PROJECTS LESS THAN 2 MILES.
 PROVIDE SIGNS IN EACH DIRECTION ON TWO-WAY HIGHWAY.
 DISTANCE MAY BE ADJUSTED ACCORDING TO FIELD CONDITIONS.



TRAFFIC CONTROL
 SHEET 1 OF 3



SET 1
ACTIVE

SET 2
INACTIVE

SET 3
ACTIVE

SET 4
INACTIVE

SIGN SETS 1 AND 3 ARE ACTIVE AND (I.E., SIGNS FACE ONCOMING TRAFFIC).

SIGN SETS 2 AND 4 ARE INACTIVE (I.E., SIGNS DO NOT FACE EITHER DIRECTION OF TRAFFIC) WHEN THE RESURFACING OPERATION IS LOCATED BETWEEN SIGN SETS 1 AND 3.

WHEN SIGN SETS 2 AND 4 ARE ACTIVE, SIGN SETS 1 AND 3 BECOME INACTIVE AND ARE ADVANCED TO BECOME SETS 2 AND 4 WITH SIGN LEGENDS TURNED AWAY FROM BOTH DIRECTIONS OF TRAFFIC. WHEN THE RESURFACING OPERATION ADVANCES TO BETWEEN SIGN SETS 2 AND 4, SIGN SETS 2 AND 4 BECOME ACTIVE (I.E., NEW SIGN SETS 1 AND 3) AND SIGN SETS 1 AND 3 ADVANCED IN THE DIRECTION OF THE OPERATION (I.E., NEW SIGN SETS 2 AND 4).

- - CHANNELIZERS
- ⚠ - FLAGGER

NOTES:

DAYLIGHT FLAGGING OPERATIONS ONLY.

CHANNELIZING DEVICES LOCATED DOWNSTREAM OF THE ONE-LANE, TWO-WAY TAPER ARE OPTIONAL. THESE DEVICES SHOULD BE ELIMINATED WHEN THEIR USE WILL REDUCE THE USABLE LANE WIDTH, INCLUDING ANY ACCEPTABLE SHOULDERS, TO LESS THAN 10' OR WILL SIGNIFICANTLY AFFECT THE RESURFACING OPERATION.

FLAG ASSEMBLIES FOR SIGNS WILL BE PAID FOR AS EACH PER SIGN, EXCEPT FOR SIGN W020-7A WHICH IS SUBSIDIARY TO THE SIGN.

NOTE: FOR SPEED LIMIT AND SPEED LIMIT REDUCTION REFER TO EPG 616.2 FOR GUIDANCE.

SIGN SPACING FOR ADVANCE SIGN SERIES (2) (3)		
SPEED (1) MPH	NON-DIVIDED HIGHWAYS	DIVIDED HIGHWAYS
0 - 35	200	200
40 - 45	350	500
50 - 55	500	1000
60 - 70	1000	1000

NOTES:

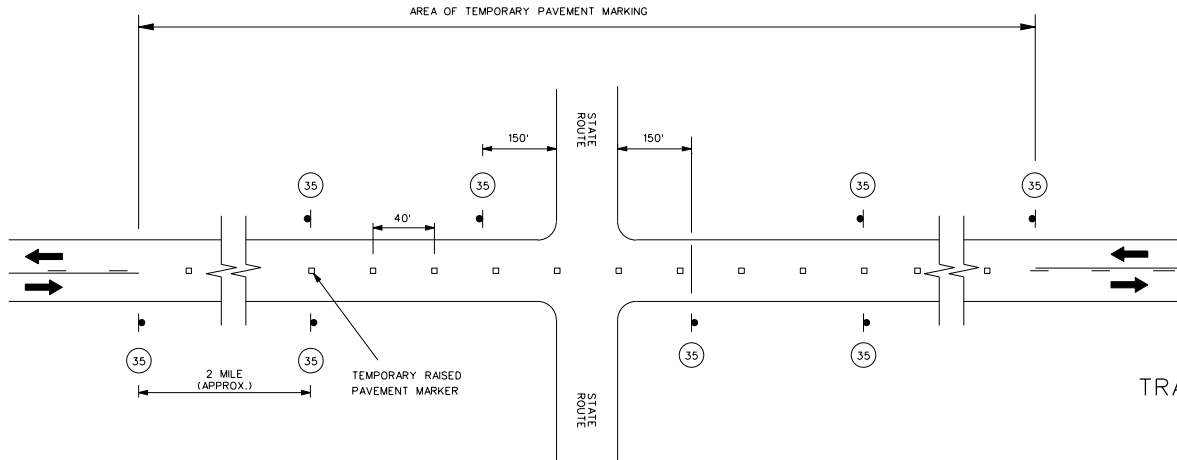
DIMENSIONS IN FEET UNLESS OTHERWISE NOTED.

- (1) POSTED SPEED LIMIT PRIOR TO ROAD WORK.
- (2) SPACING BETWEEN SIGNS, BETWEEN LAST SIGN AND FLAGGER, BEGINNING OF TAPER OR SIGNED CONDITION.
- (3) SPACINGS MAY BE ADJUSTED AS NECESSARY TO MEET FIELD CONDITIONS.

TRAFFIC CONTROL
SHEET 2 OF 3

THIS MEDIA SHOULD NOT BE CONSIDERED A CERTIFIED DOCUMENT.
 DATE PREPARED: 9/24/2010
 ROUTE: MO
 DISTRICT: SHEET NO. 6
 COUNTY:
 JOB NO.:
 CONTRACT ID.:
 PROJECT NO.:
 BRIDGE NO.:
 DESCRIPTION:
 DATE:
 MISSOURI HIGHWAYS AND TRANSPORTATION COMMISSION
 105 WEST CAPITOL JEFFERSON CITY, MO 65102
 1-888-ASK-MDOT (1-888-275-6636)

"NO CENTER STRIPE" SIGNS



W08-12



36" X 36"

TRAFFIC CONTROL PLAN

NOTES:

SIGN (35) AND TEMPORARY PAVEMENT MARKING INSTALLED WHERE CENTER STRIPING HAS BEEN COVERED OR REMOVED. SIGNS ARE TO REMAIN IN PLACE UNTIL THE PERMANENT CENTER PAVEMENT MARKINGS ARE IN PLACE. SIGNS SHALL BE COVERED OR REMOVED WHEN PERMANENT CENTER PAVEMENT MARKING HAS BEEN INSTALLED.

SIGN (35) IS PLACED AT APPROXIMATELY TWO MILE INTERVALS AND AT STATE ROUTES. WHEN SIGN (35) IS INSTALLED AT A STATE ROUTE, ANY OTHER SIGN (35) LOCATED WITHIN ONE-EIGHTH OF A MILE FROM THE STATE ROUTE MAY BE DELETED.

SIGN (35) SHALL BE POST MOUNTED IN ACCORDANCE WITH STANDARD PLANS 616.10 AND 903.03.

TEMPORARY RAISED PAVEMENT MARKERS SHALL BE INSTALLED BY THE END OF EACH DAY.

TRAFFIC CONTROL
SHEET 3 OF 3

"THIS MEDIA SHOULD NOT BE CONSIDERED A CERTIFIED DOCUMENT."

DATE PREPARED
9/2/2010

ROUTE	STATE
DISTRICT	SHEET NO.
COUNTY	JOB NO.
CONTRACT ID.	PROJECT NO.
BRIDGE NO.	

MO

7

IF A SEAL IS PRESENT ON THIS SHEET IT HAS BEEN ELECTRONICALLY SEALED AND DATED.