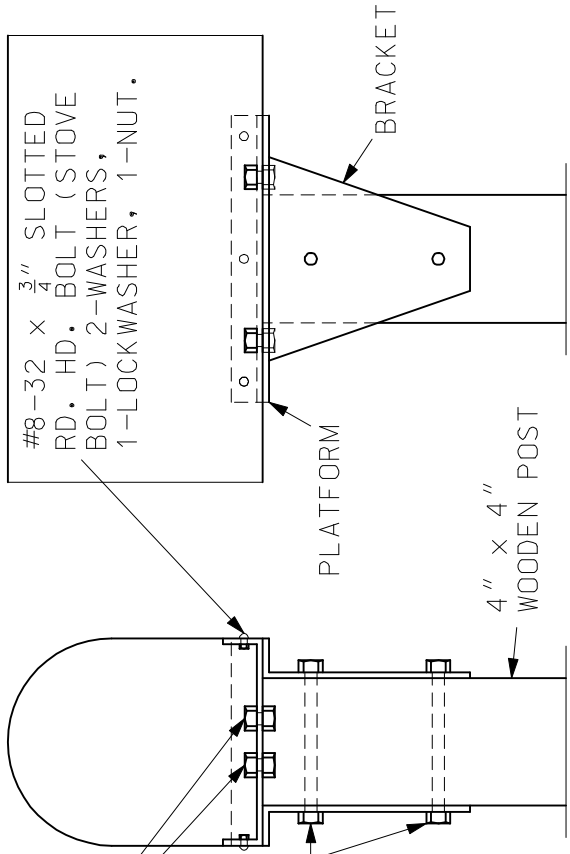
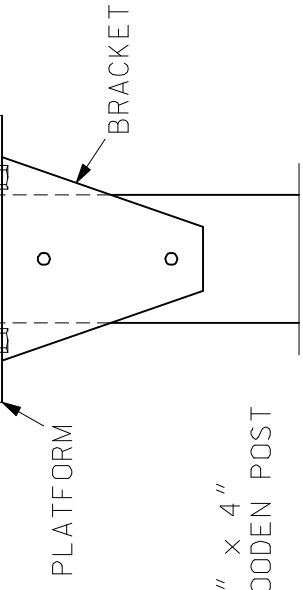


$\frac{3}{8}$ "-16 x $\frac{3}{4}$ " HEX BOLT, 2-WASHERS, 1-LOCKWASHER, 1-NUT.

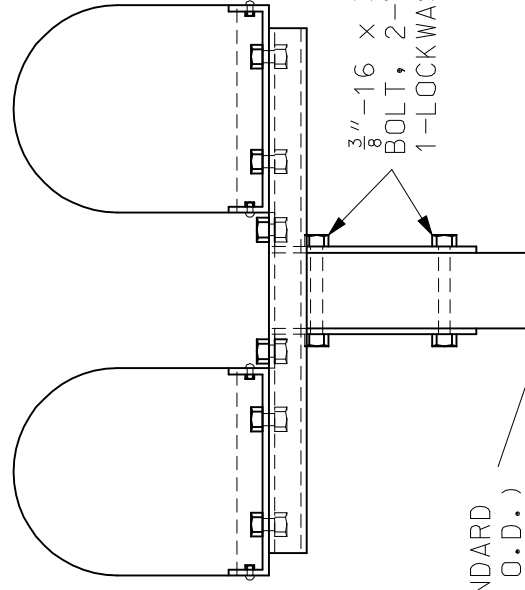
$\frac{3}{8}$ "-16 x 4-1/2" HEX BOLT, 2-WASHERS, 1-LOCKWASHER, 1-NUT.



#8-32 x $\frac{3}{4}$ " SLOTTED RD. HD. BOLT (STOVE BOLT) 2-WASHERS, 1-LOCKWASHER, 1-NUT.

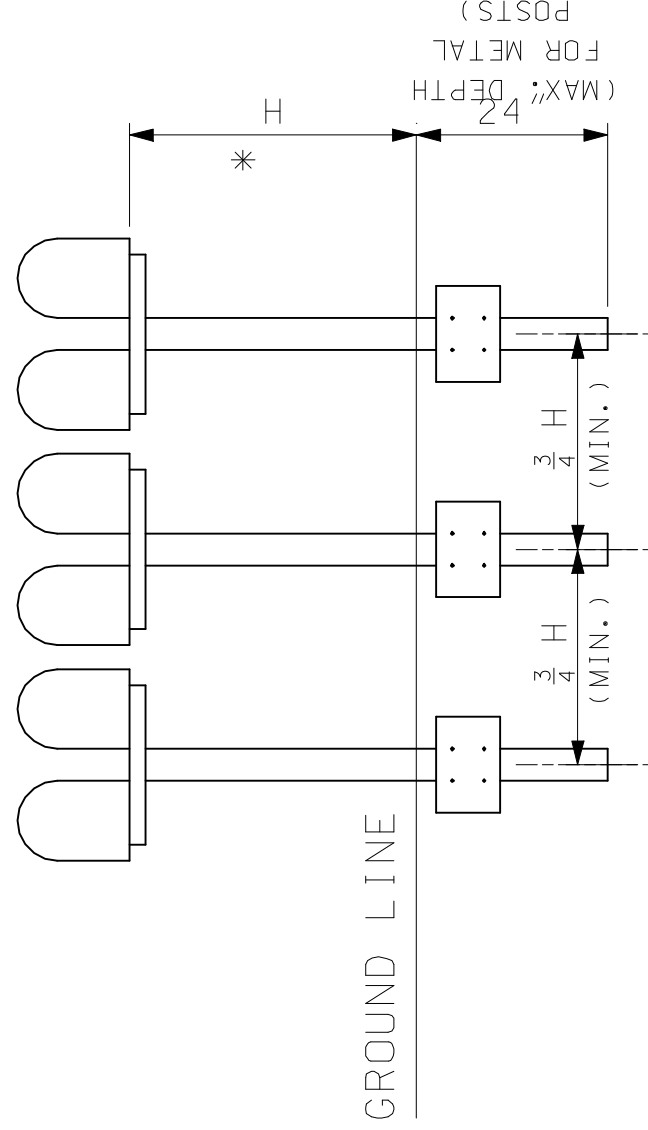


$\frac{3}{8}$ "-16 x 4-1/2" HEX BOLT, 2-WASHERS, 1-LOCKWASHER, 1-NUT.



$\frac{3}{8}$ "-16 x 3" HEX BOLT, 2-WASHERS, 1-LOCKWASHER, 1-NUT.

NOMINAL 2" STANDARD PIPE. (2-3/8" O.D.)



GROUND LINE

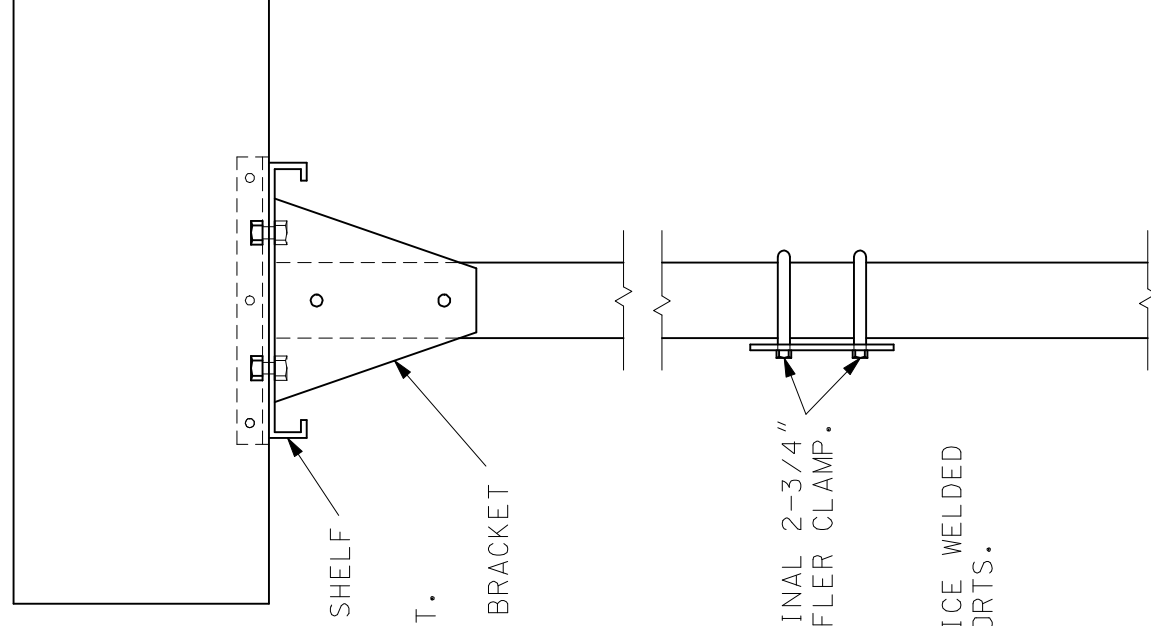
42 (MAX. DEPTH FOR METAL POSTS)

$\frac{3}{4}$ H (MIN.)

$\frac{3}{4}$ H (MIN.)

H

SPACING FOR MULTIPLE POST INSTALLATION



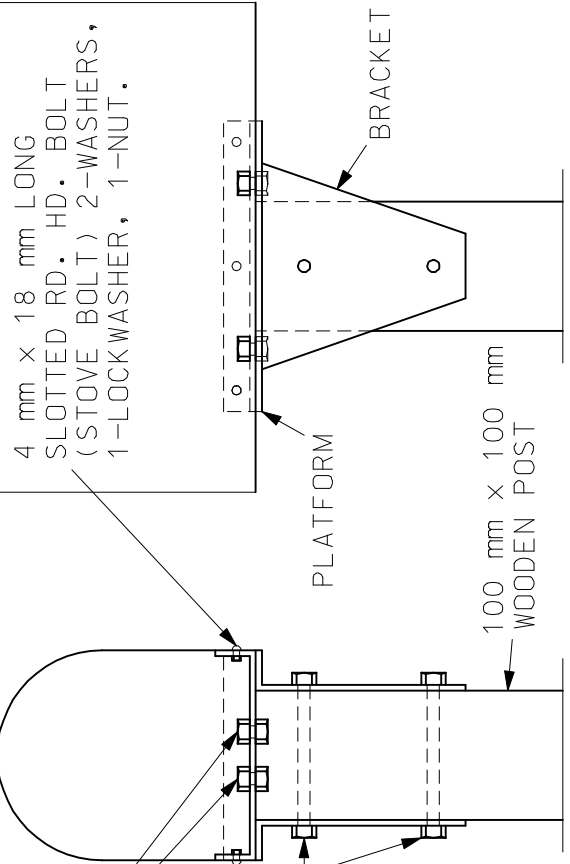
NOMINAL 2-3/4" MUFFLER CLAMP.

ANTI-TWIST DEVICE WELDED WITH PIPE SUPPORTS.

* ESTABLISHED BY THE U.S. POSTAL SERVICE.
H IS USUALLY 3' TO 4'.

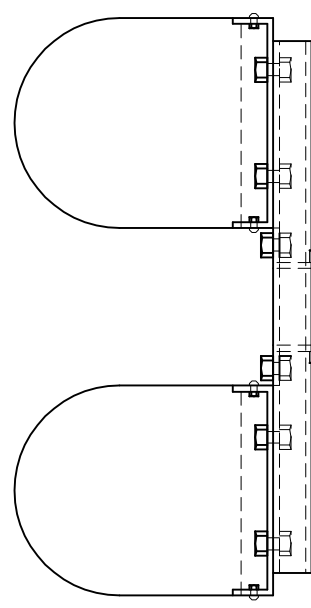
8 mm x 18 mm LONG
HEX BOLT, 2-WASHERS,
1-LOCKWASHER, 1-NUT.

8 mm x 113 mm LONG
HEX BOLT, 2-WASHERS,
1-LOCKWASHER, 1-NUT.

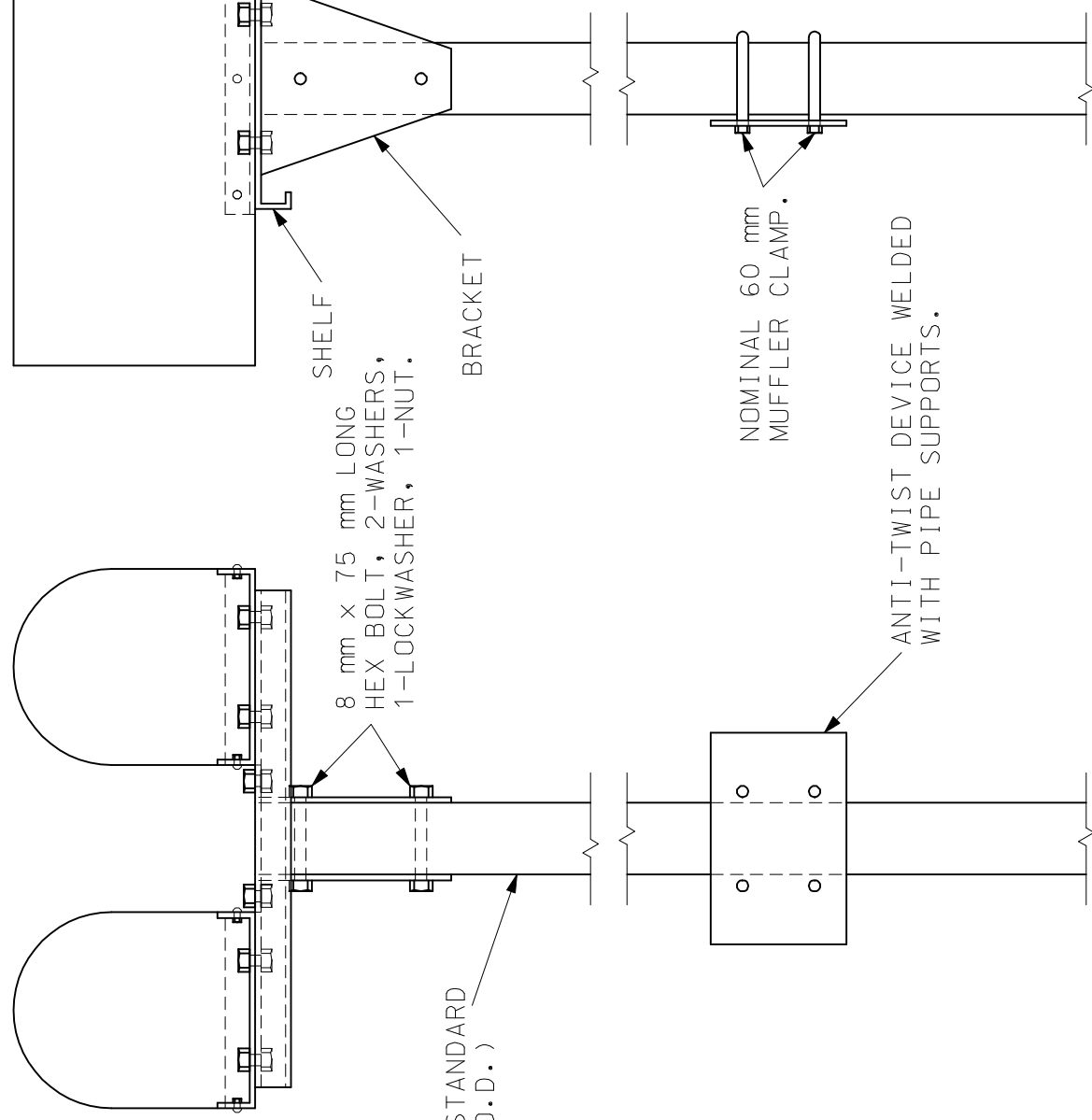


4 mm x 18 mm LONG
SLOTTED RD. HD. BOLT
(STOVE BOLT) 2-WASHERS,
1-LOCKWASHER, 1-NUT.

8 mm x 75 mm LONG
HEX BOLT, 2-WASHERS,
1-LOCKWASHER, 1-NUT.

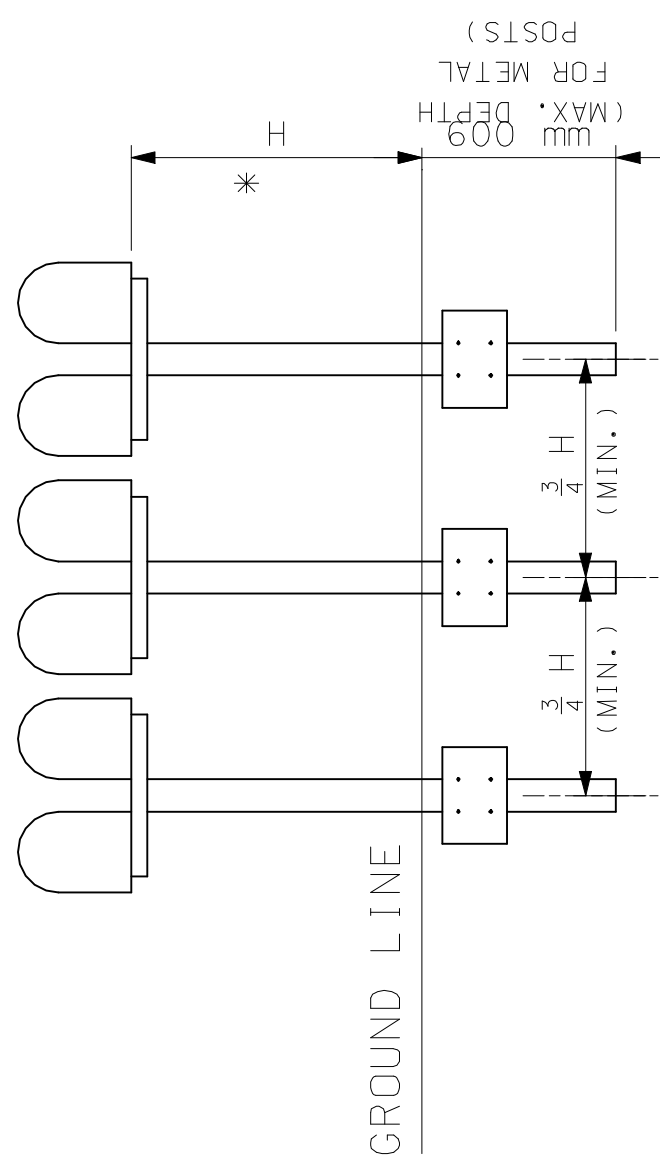


NOMINAL 50 mm STANDARD
PIPE. (59 mm O.D.)



NOMINAL 60 mm
MUFFER CLAMP.

ANTI-TWIST DEVICE WELDED
WITH PIPE SUPPORTS.

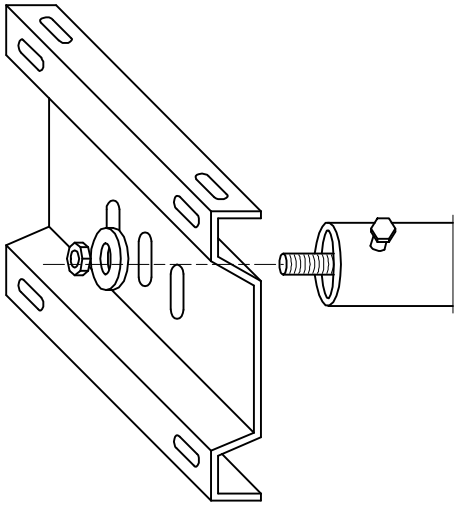


GROUND LINE

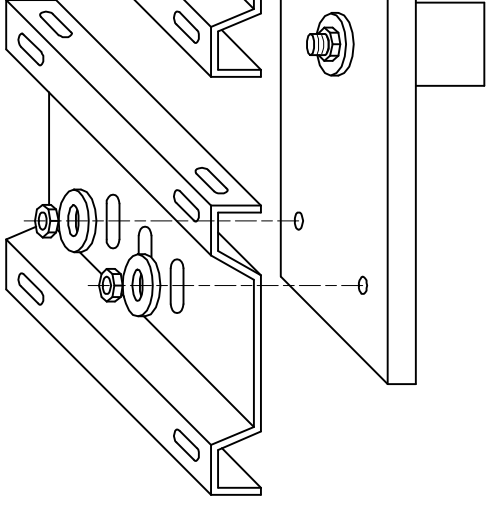
(MAX. DEPTH
FOR METAL
POSTS)

SPACING FOR MULTIPLE POST INSTALLATION

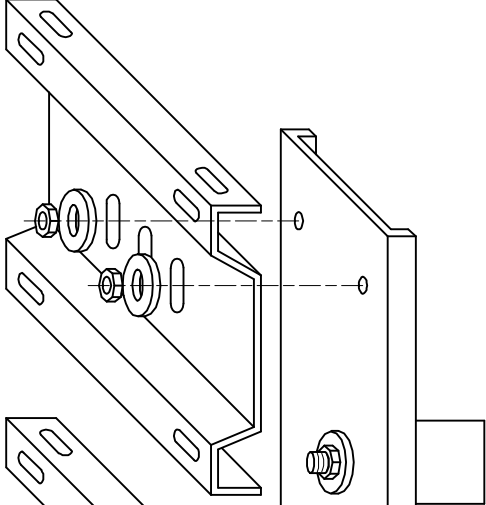
* ESTABLISHED BY THE U.S. POSTAL SERVICE.
H IS USUALLY 1.0 m TO 1.2m.



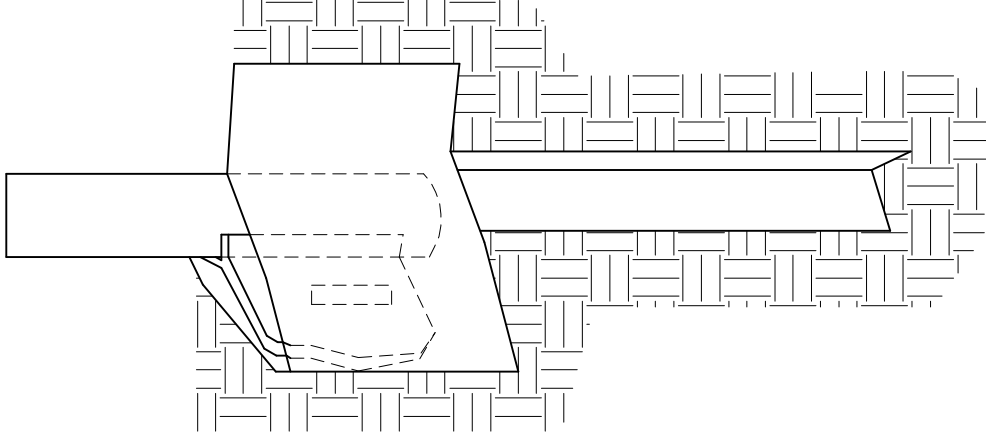
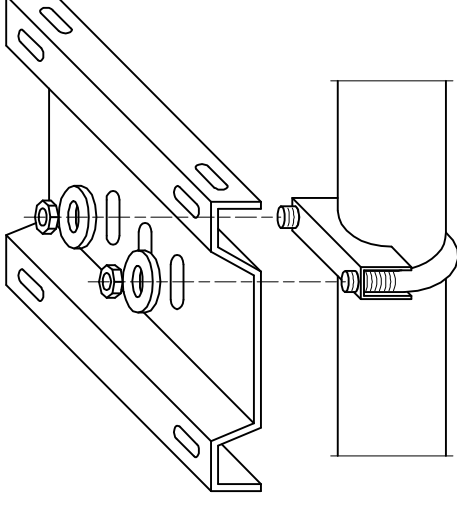
SINGLE MAILBOX MOUNT



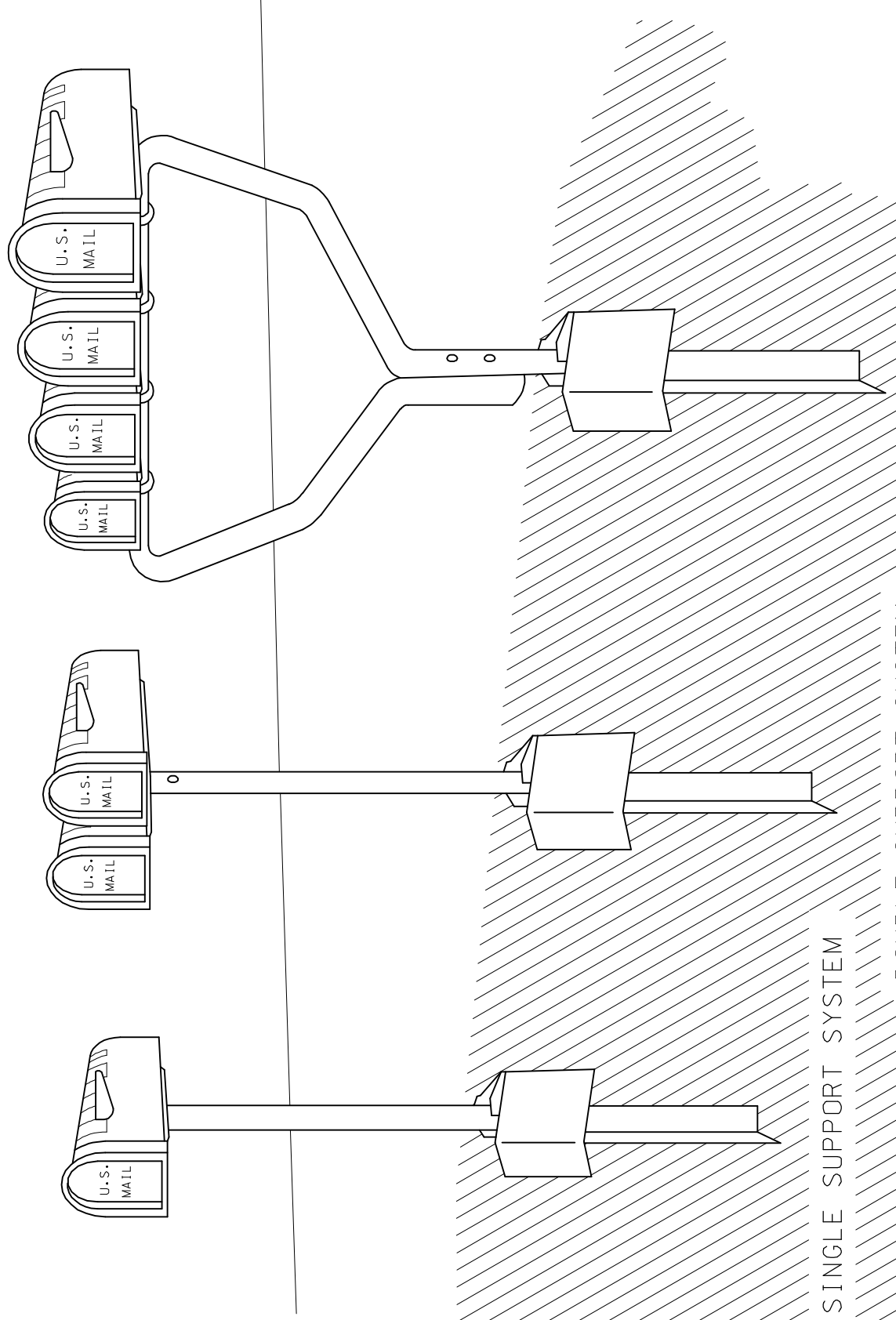
DOUBLE MAILBOX MOUNT



MULTIPLE MAILBOX MOUNT



YIELDING BASE POST SUPPORT



SINGLE SUPPORT SYSTEM

DOUBLE SUPPORT SYSTEM

MULTIPLE SUPPORT SYSTEM

NOTE:

SUPPORT FRAME AND FOUNDATION
ARE PROPRIETARY PRODUCTS

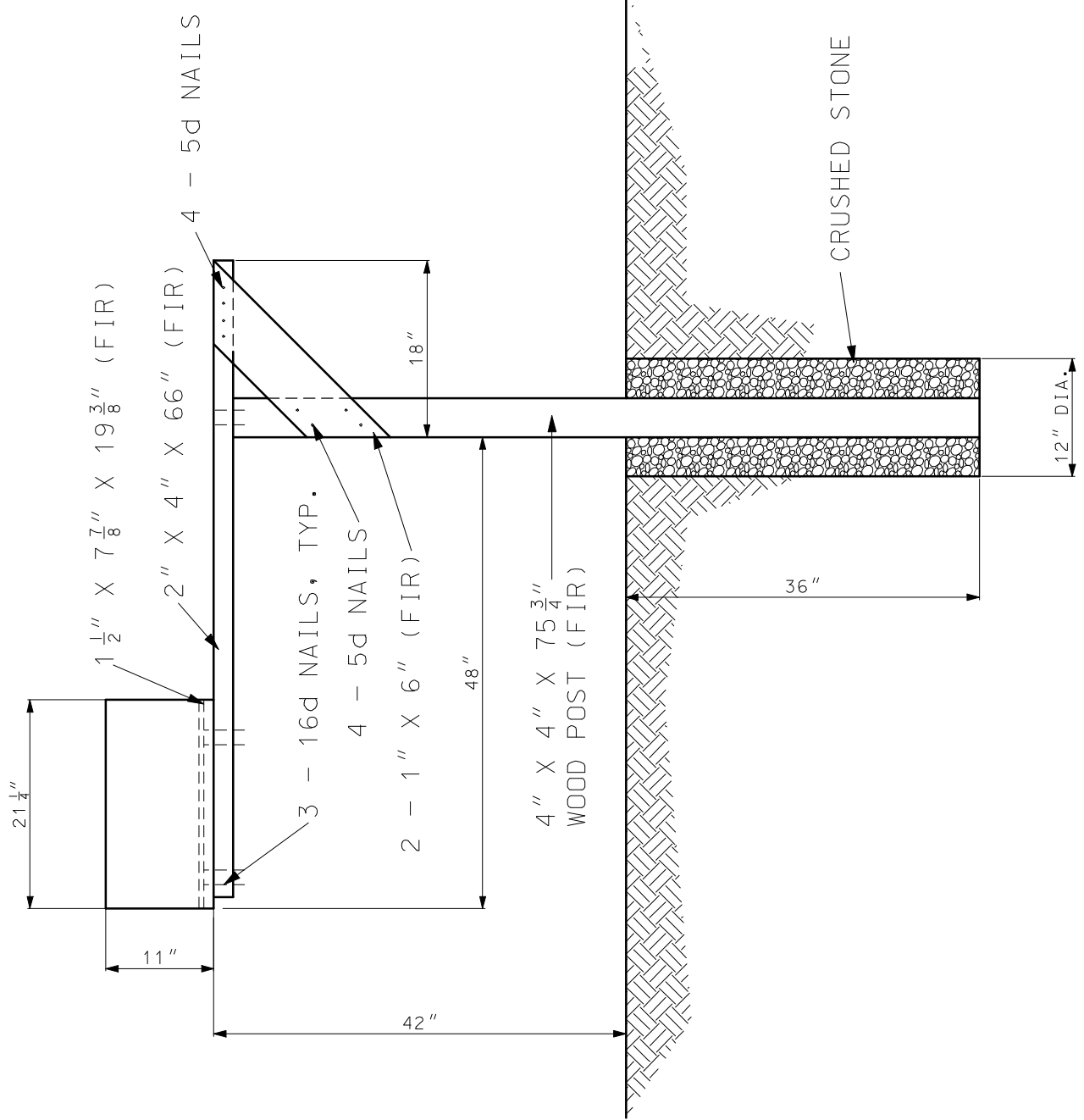
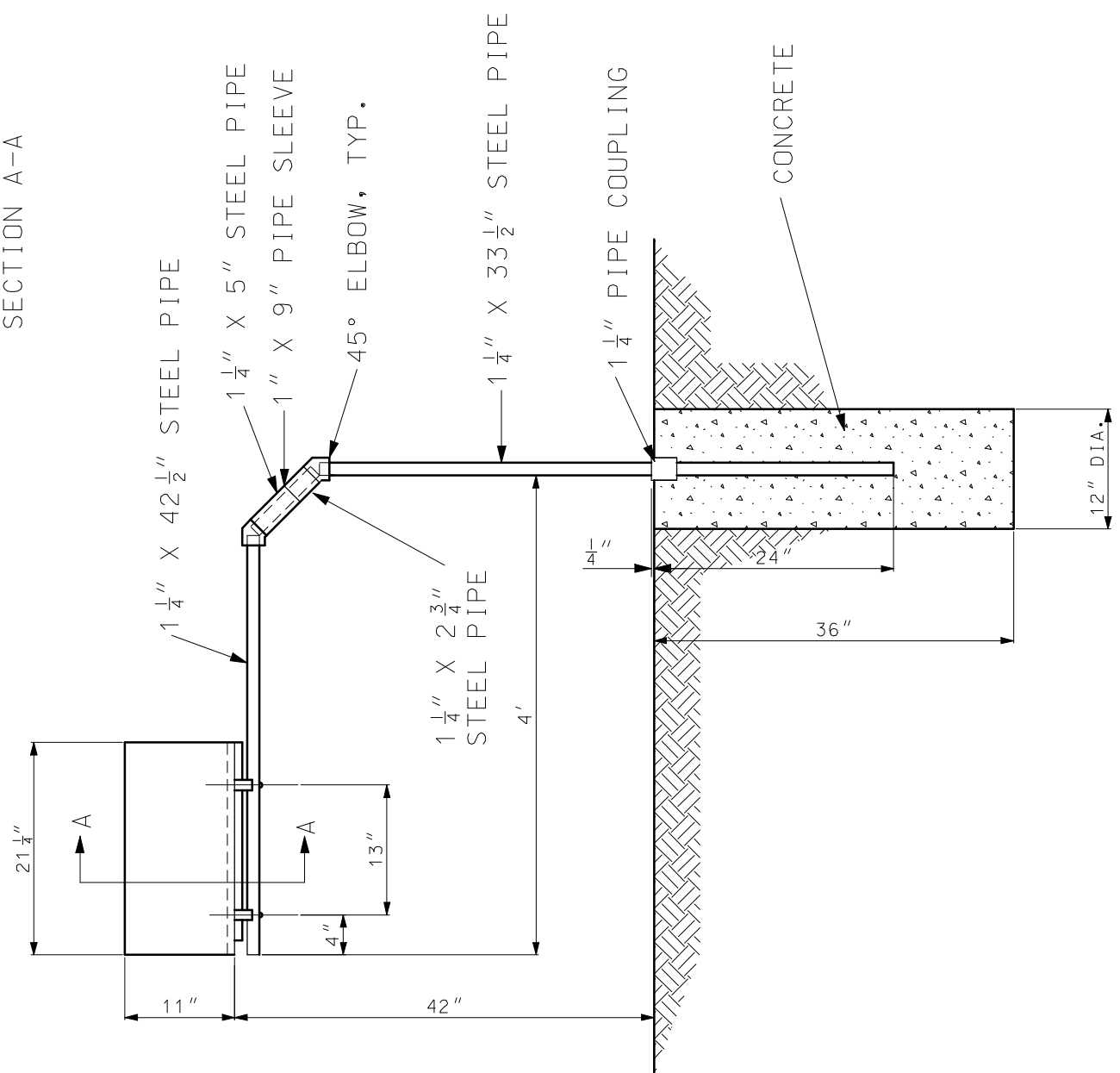
CLAMP AVAILABLE WHERE
 AUTOMOBILE TAILPIPE
 FITTINGS ARE SOLD.



1 1/2" X 7 7/8" X 19 3/8"
 WOOD FILLER (FIR)

2 - 1/4" X 3 1/2" BOLTS

SECTION A-A



CLAMP AVAILABLE WHERE
 AUTOMOBILE TAILPIPE
 FITTINGS ARE SOLD.

38 mm x 200 mm x 500 mm
 WOOD FILLER (FIR)

2 - 6 mm x 90 mm BOLTS

SECTION A-A

