

PERMISSIBLE INDEPENDENT LICENSE  
PLATE READER CONFIGURATION

GENERAL NOTES:

ONLY LICENSE PLATE READER CAMERAS, PAN-TILT-ZOOM CAMERAS, SOLAR PANELS AND/OR BATTERY/CONTROL BOXES MAY BE MOUNTED ON THE PEDESTAL POST, SEE PAGE 2 OF 2 FOR FURTHER DETAILS

OTHER HARDWARE COMPONENTS SHALL BE REMOTE LOCATED IN A PULL BOX ADJACENT TO THE POLE INSTALLATION OR AT THE RIGHT OF WAY LINE

THE OWNERSHIP TAG SHALL BE FABRICATED TO LAST THE LIFE OF THE INSTALLATION AND SHALL CONTAIN THE NAME AND CONTACT INFORMATION OF THE ENTITY RESPONSIBLE FOR MAINTAINING THE INSTALLATION



REVISION DATE: 5/17/2022

LICENSE PLATE READER  
INDEPENDENT INSTALLATION  
TYPICAL APPLICATION

PAGE 1 OF 2

THIS TYPICAL APPLICATION IS BASED ON MoDOT STANDARD PLANS

APPROVED PRODUCTS LIST FOR LICENSE PLATE READER INSTALLATIONS

MODOT PEDESTAL BASES

- AKRON FOUNDRY.....MODEL TS-1000-L-P
- AKRON FOUNDRY.....MODEL TS-1000-L-WP
- PELCO.....PB5336
- PELCO.....PB5337
- TRAFFIC PARTS.....TP289 X

MODOT FUSED SLIP CONNECTORS

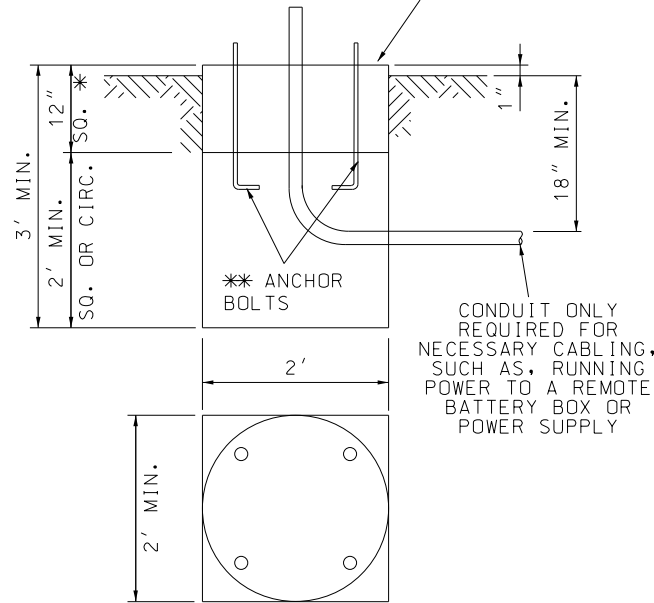
- BUSSMANN.....HEB-JW-RYC

APPROVED ALTERNATE PEDESTAL BASES

- FREY MANUFACTURING.....CP6 SERIES

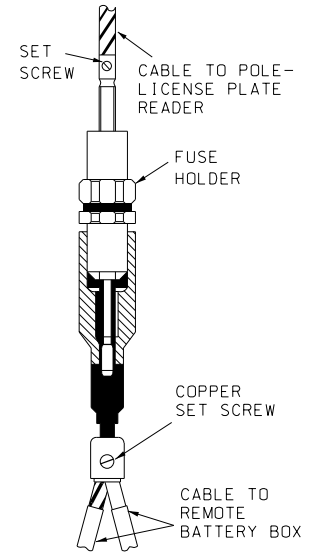
NOTE: ANY ALTERNATE POST DESIGNS MUST FIRST BE APPROVED THROUGH MoDOT'S MASH REVIEW PROCESS

CONCRETE BASE SHOULD BE 1" ABOVE THE ORIGINAL GRADE AND SHALL NOT BE MORE THAN 4" ABOVE ORIGINAL GRADE



\* SURFACE OF BASE TO BE CONSTRUCTED SQUARE FOR A DEPTH OF 12"

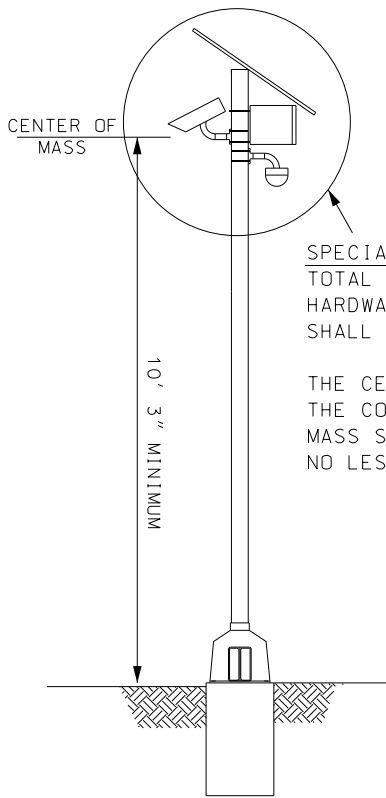
\*\* ANCHOR BOLT DIMENSIONS ARE SHOWN ON THE MANUFACTURER'S APPROVED DRAWINGS



ALL CABLES ENTERING THE TRANSFORMER BASE THROUGH THE CONDUIT SHALL HAVE FUSED SLIP CONNECTORS LOCATED IN THE TRANSFORMER BASES

TYPE C  
CONCRETE BASE

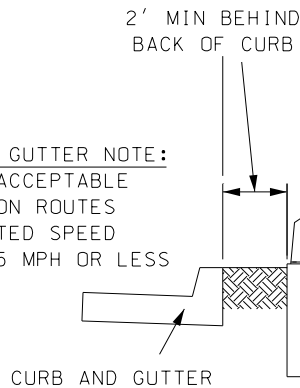
SINGLE OR DUAL  
CABLE FUSED SLIP  
CONNECTOR ASSEMBLY



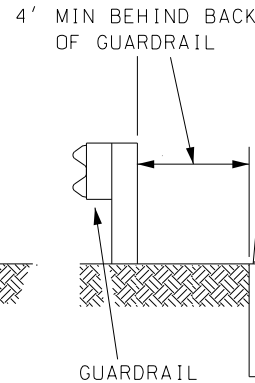
SPECIAL NOTE FOR ALL CASES:  
 TOTAL WEIGHT OF ALL  
 HARDWARE MOUNTED ON THE POLE  
 SHALL NOT EXCEED 120LBS

THE CENTER OF MASS OF  
 THE COMBINED HARDWARE  
 MASS SHALL BE  
 NO LESS THAN 10' 3"

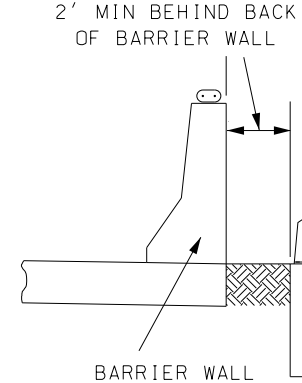
CURB AND GUTTER NOTE:  
 ONLY AN ACCEPTABLE  
 BARRIER ON ROUTES  
 WITH POSTED SPEED  
 LIMITS 45 MPH OR LESS



ALL HARDWARE SHALL  
 REMAIN BEHIND THIS LINE



ALL HARDWARE SHALL  
 REMAIN BEHIND THIS LINE



ALL HARDWARE SHALL  
 REMAIN BEHIND THIS LINE

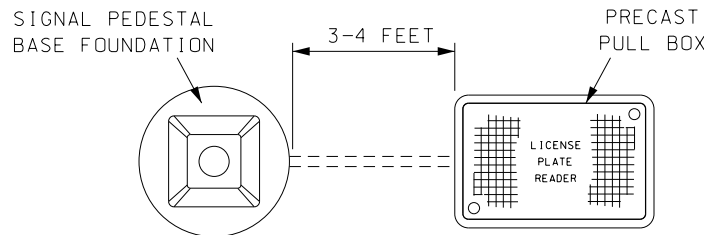
ACCEPTABLE EXISTING BARRIER INSTALLATIONS

GENERAL NOTES:

ALL INDEPENDENT LICENSE PLATE READERS SHALL  
 BE LOCATED BEHIND EXISTING BARRIER AS DEPICTED  
 ON THIS SHEET AND THE INSTALLATION SHALL BE A  
 MINIMUM OF 50 FEET FROM THE END OF THE BARRIER.  
 GUARD CABLE IS NOT DEPICTED AS AN OPTION DUE  
 TO ITS 12 FOOT DEFLECTION DISTANCE.

NON-INDEPENDENT INSTALLATIONS ARE LIMITED  
 TO EXISTING, NON-BREAKAWAY STRUCTURES ON,  
 OR ADJACENT TO, MODOT RIGHT OF WAY

SEE MODOT EPG SECTION 941.10 FOR COMPLETE  
 GUIDANCE ON LICENSE PLATE READER  
 INSTALLATIONS AND PROCEDURES



BATTERY / CONTROL BOX  
 PULL BOX INSTALLATION DETAIL

PULL BOX NOTES:

ITEMS NOT PERMITTED ON THE POLE  
 OR TOO HEAVY TO MOUNT ON THE  
 POLE SHALL BE EITHER MOUNTED  
 AT THE RIGHT OF WAY LINE  
 OR INSTALLED BELOW GRADE IN  
 A STANDARD MODOT PREFORMED  
 PULL BOX IN ACCORDANCE WITH  
 MODOT STANDARD PLAN 902.20

THE PULL BOX SHALL BE LOCATED  
 DOWNSTREAM OF THE POLE, PARALLEL  
 TO THE ROADWAY, LOCATED WITHIN  
 3-4 FEET OF THE POLE TO MINIMIZE  
 THE LENGTH OF BURIED CABLE

THE PULL BOX LID SHALL INDICATE  
 THE PURPOSE OF THE PULL BOX USING  
 A DURABLE LABELING SYSTEM

MoDOT REVISION DATE: 5/17/2022

LICENSE PLATE READER  
 INDEPENDENT INSTALLATION  
 TYPICAL APPLICATION