

TARGET ANGLE (SIDE SHOT)

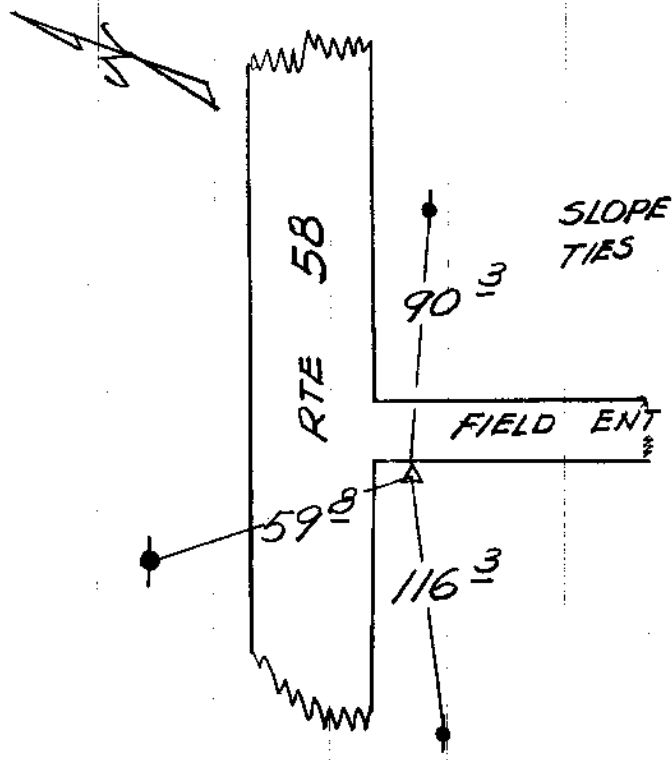
HORIZ. DIST. = 871.927

	CO#	RTE	STA	REMARKS
π	019	058	203	
SIGHT	019	058	202	
TARGET	019	058	7-10	

VERTICAL Δ	SLOPE DISTANCE	OFFSET		REMARKS
		SKETCH	OR	
90-56.40	4'	T 179°	33' 18"	S 00° 00' 53"
		Δ 179°	32' 25"	
872-05	872-04	T 359°	33' 15"	S 180° 00' 51"
		Δ 179°	32' 24"	
90-56.40	4'	T 0°	0' 00"	S 0° 00' 00"
		Δ 0°	0' 00"	
90-56.40	4'	T 0°	0' 00"	S 0° 00' 00"
		Δ 0°	0' 00"	
MEAN Δ	179°	32' 24"	500	

TRAVERSE LOCATION SKETCH & TIES

019 058 201
 SPIKE 4" Deep. Located
 0.3 Mile E/O Jct. Rte
 58 & Rte D. 6.3 Ft. S/O
 S. Edge Pavt Rte 58



TARGET ANGLE (SIDE SHOT)

HORIZ. DIST. = 265.763

CO#	RTE	STA	REMARKS
019	058	203	
019	058	202	
019	058	T-10	

VERTICAL Δ's		SLOPE DISTANCE		OFFSET		SKETCH OR REMARKS
Δ's	HGT VERT	T	S	T	S	
90-56-40	4'	T 179°	S 00°	33'	18"	
		Δ 179°		32'	25"	
		T 359°	S 180°	33'	15"	
		Δ 179°		32'	24"	
		T	S			
		Δ				
		T	S			
		Δ				
		T	S			
		Δ				
		MEAN Δ		179°	32'	24" <u>500</u>

