

01

Law enforcement agency requests approval from the Department of Public Safety (DPS) by emailing request on law enforcement agency letterhead to dpsinfo@dps.mo.gov

02

DPS provides approval of law enforcement agency request to MoDOT

03

MoDOT receives approval for a law enforcement agency via DPS

04

MoDOT Highway Safety and Traffic Division coordinates with the district staff regarding the request and provides a response letter to the requesting law enforcement agency, copying DPS

05

Applicant coordinates with MoDOT staff to facilitate steps needed to obtain a permit for LPR installations as outlined in EPG 941.10. These could include the following (see right):

06

Upon district approval, a permit is issued and initial installation work will be completed

07

Law enforcement agency confirms installation to DPS

08

Law enforcement is responsible for maintenance of the LPR system(s) and must coordinate with MoDOT for future activities



Permit request must include:

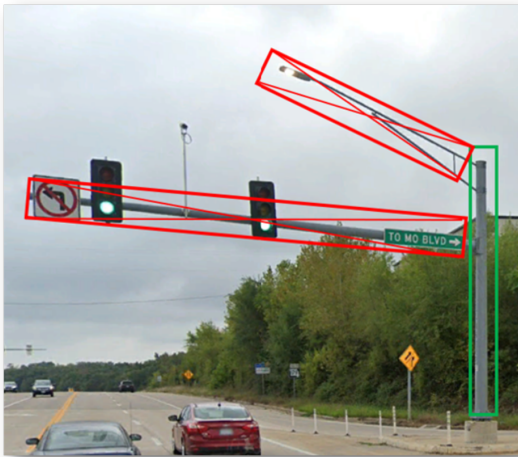
- An aerial image or map depicting all the individual locations included in the request
- An aerial image of each LPR clearly showing the specific location with respect to the roadway and other structures on the right of way
- A set of drawings showing the hardware being installed and the installation details
 - This must be signed and sealed by a Missouri Professional Engineer
- An executed Roles and Responsibilities document, drafted by MoDOT and sent to the law enforcement agency to sign off on



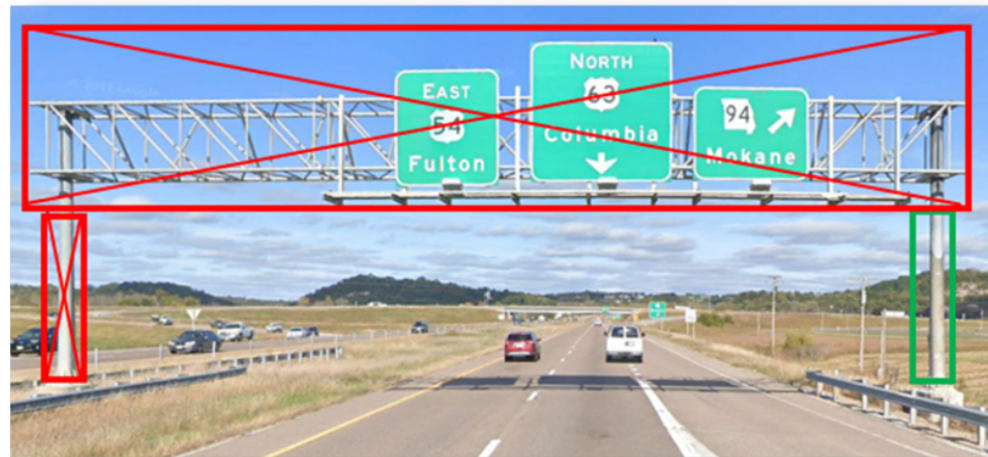
LICENSE PLATE READERS Deployment Locations

- LPRs can only be deployed on the right side of the roadway outside of the shoulder.
- LPRs can be installed in the following locations:
 - On MoDOT traffic signal upright poles
 - On MoDOT overhead sign truss upright poles
 - On independent pole installations (installed and maintained by requesting agency or their LPR vendor)
 - On any non-breakaway structure owned by a third party, with the written permission of the third party
 - See MoDOT Engineering Policy Guide 941.10 for complete details

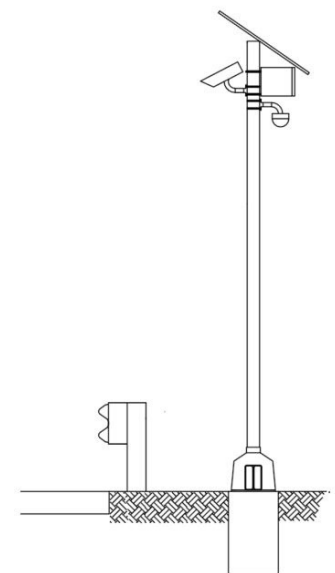
Traffic Signal



Overhead Sign Truss



Independent Pole Installation



*Green Box Indicates Possible Mounting Locations
Red Boxes are Unacceptable Mounting Locations*